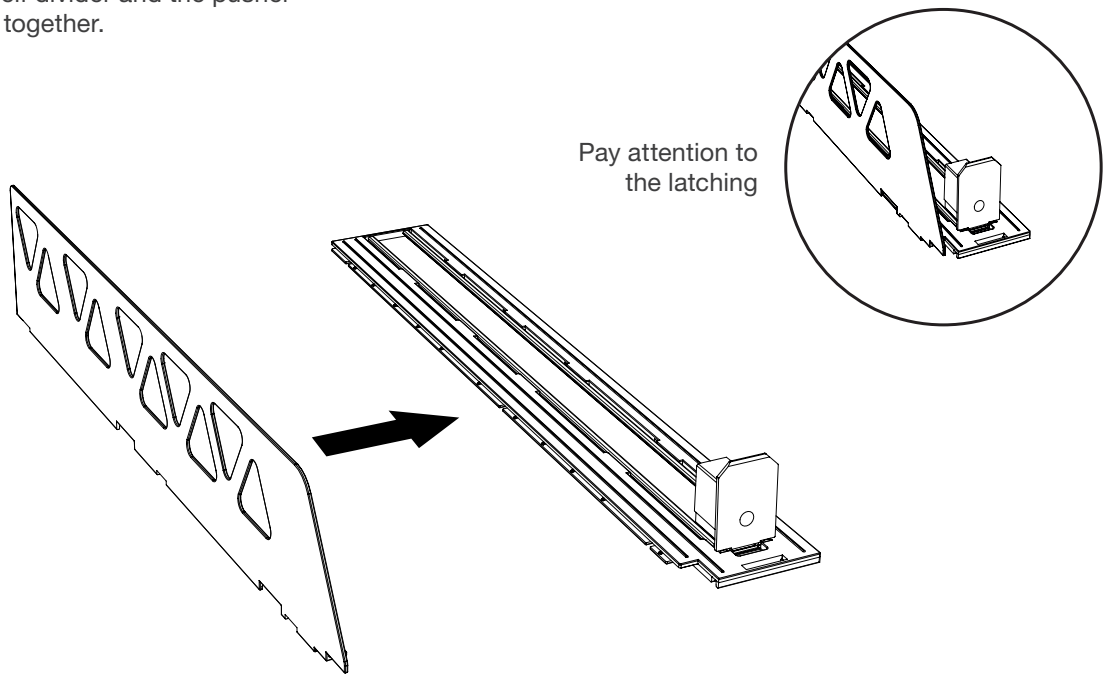


Heavy Duty Tray

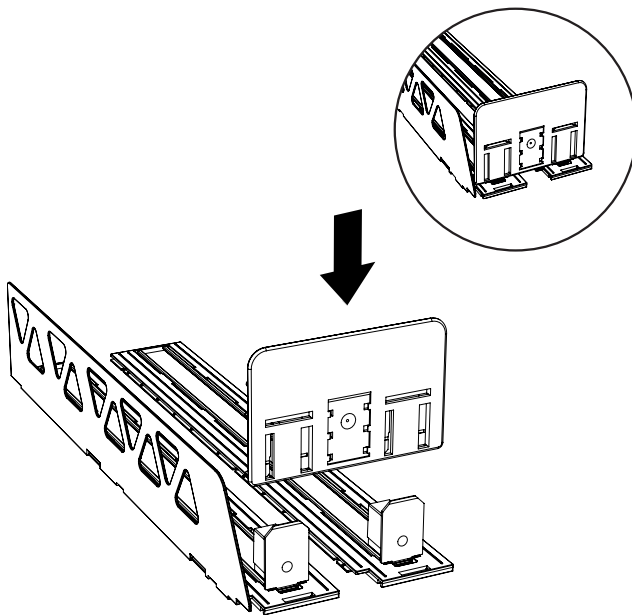
Mounting instruction

HDT - Heavy Duty Tray

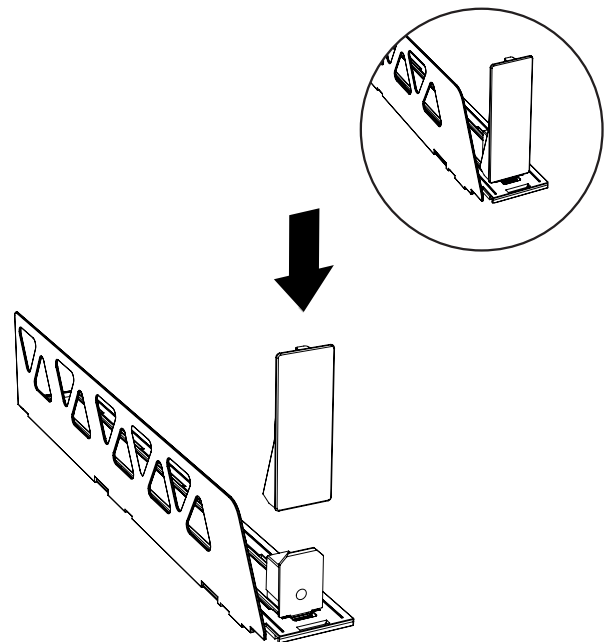
- 1** Put the shelf divider and the pusher with track together.



- 2** (Module M)
Place the double pusher house extension on the two product pushers.

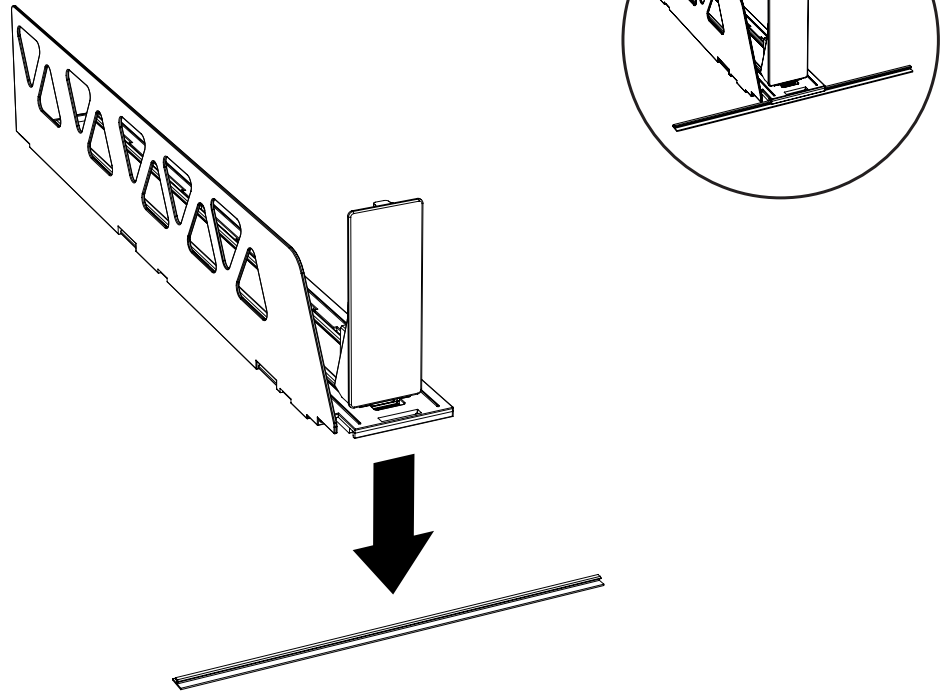


- (Module S or L)
Place the pusher house extension on the product pusher.

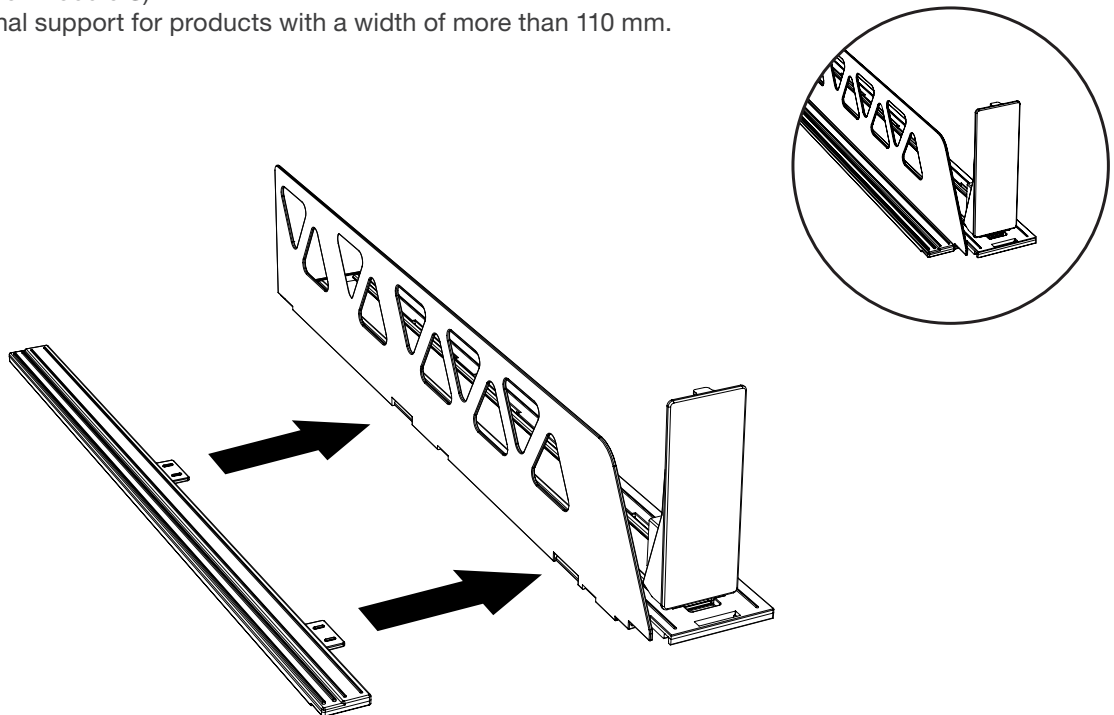


HDT - Heavy Duty Tray

- 3** Click the system onto a T-profile rail.
(For different product widths: Move the system to the right or to the left)

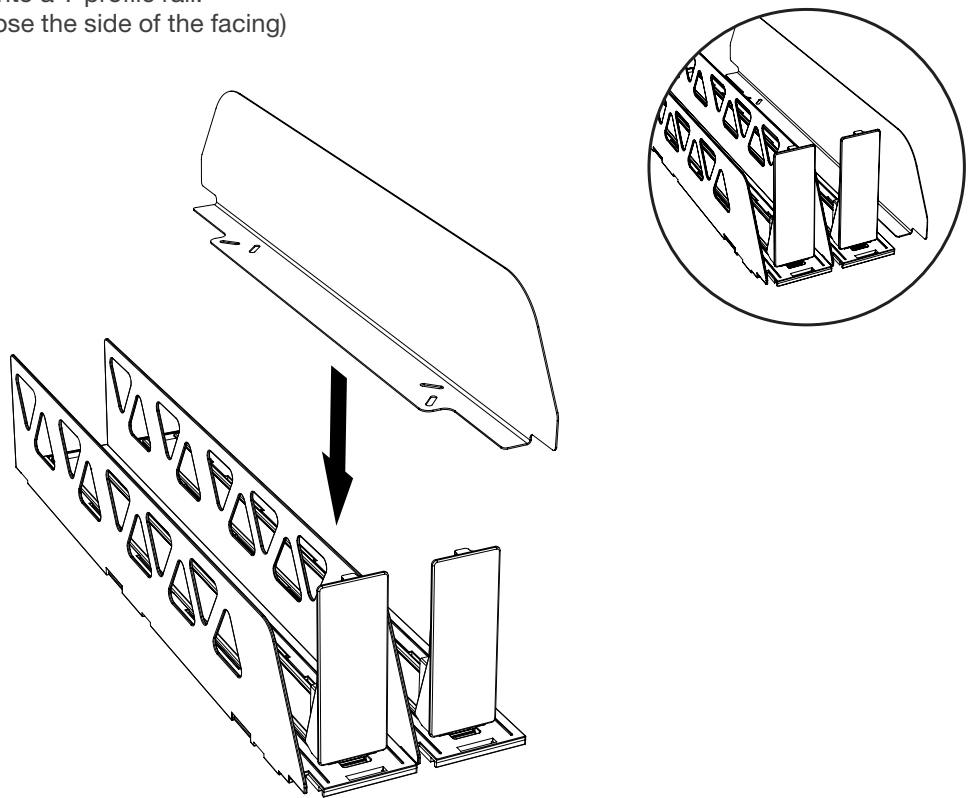


- 4** (Only for Module S)
Optional support for products with a width of more than 110 mm.



HDT - Heavy Duty Tray with divider

- 5** Click the system onto a T-profile rail.
(Divider used to close the side of the facing)



- 6**

