



4eBin™ Gravity bin
Maintenance & cleaning

Cleaning

Maintain freshness and attractive presentation

- / The 4eBin™ is completely sealed and dust proof
- / With the easy-clean option, the bin can be cleaned without dismantling entirely from the shelf rack. Just remove the front and clean the bin body in place
- / We recommend you to clean your bins regularly

Easy-clean

The 4eBin™ can be cleaned without dismantling entirely from the shelf rack. Just take out the front and leave the bin body installed to clean it.

The recommended frequency of cleaning will depend on the stock rotation speed and on the type of merchandise displayed. For instance, fat or oily products require more frequent cleaning.



Total cleaning

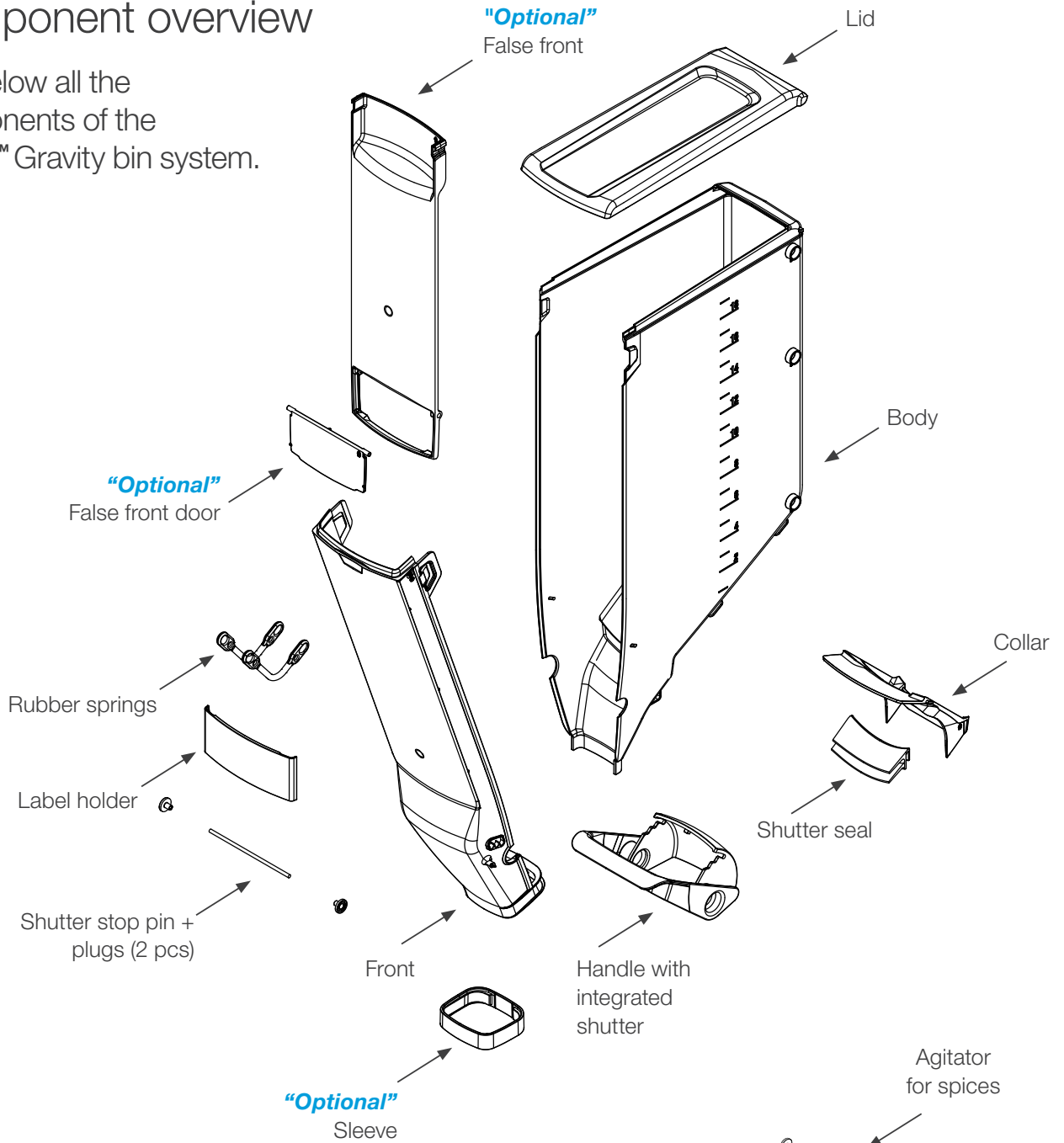
Hand washing is preferable over a dishwasher in order to limit exposure to water and high temperature. If a dishwasher is used, then settings should be at lowest possible temperature and shortest duration (below 50° C and always in the top tray).



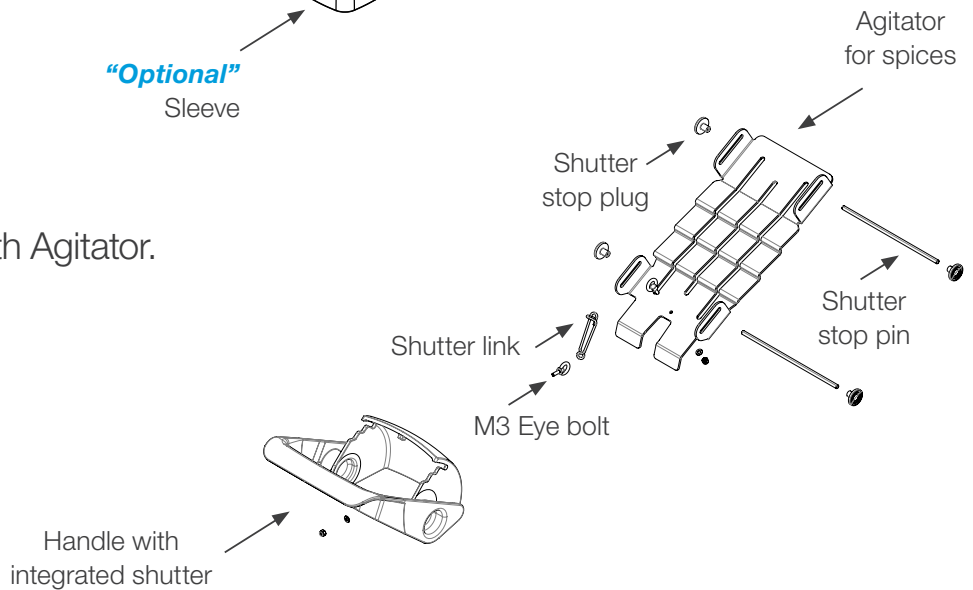
Some customers prefer not to do the cleaning themselves - your HL Display representative can help you source a cleaning service for your bulk bins.

Component overview

See below all the components of the **4eBin™** Gravity bin system.



4eBin™ Gravity bin with Agitator.



Bin disassembling

To disassemble, follow the instructions below:

- 1 Take off the lid.



- 2 To unlock the front from the body, pull the top left side of the front and push the connector. Repeat the same action on the right side.



- 3 Once released, remove the front from the body.



- 4 Remove the sleeve (optional) around the base of the front.



Bin disassembling *(cont.)*

To disassemble, follow the instructions below:



- 5** Remove the rubber springs from the knobs on the front and on the handle.



- 6** Remove the 2 plugs in each side of the shutter stop pin. Remove the shutter stop pin.



- 7** The front is now disassembled.



Bin disassembling *(cont.)*

To disassemble, follow the instructions below:

- 8** If there is a false front installed (optional), pull the top part of the false front towards you and remove it from the bin body.



- 9** Remove the collar.



- 10** Remove the shutter seal from the collar. You are done!



Bin assembling

a. Front assembling



1 Insert the shutter stop pin in the front.



2 Mount the 2 plugs on each side to lock the shutter stop pin.



3 Adjust the shutter lock to the required position: bottom position: minimum flow rate / middle position: mid flow rate / high position: maximum flow rate.



Bin assembling *(cont.)*

Front assembling

- 4** Fix the 2 rubber springs onto the knobs on the front.



- 5** Fit the handle on the front.



- 6** Fix the other end of the rubber springs.

The bin front is now mounted!



Bin assembling *(cont.)*

b. Body assembling



1 Fix the shutter seal on the collar.



2.a Fix the collar to the body.



2.b Fix the collar to the body.

The body is now mounted!



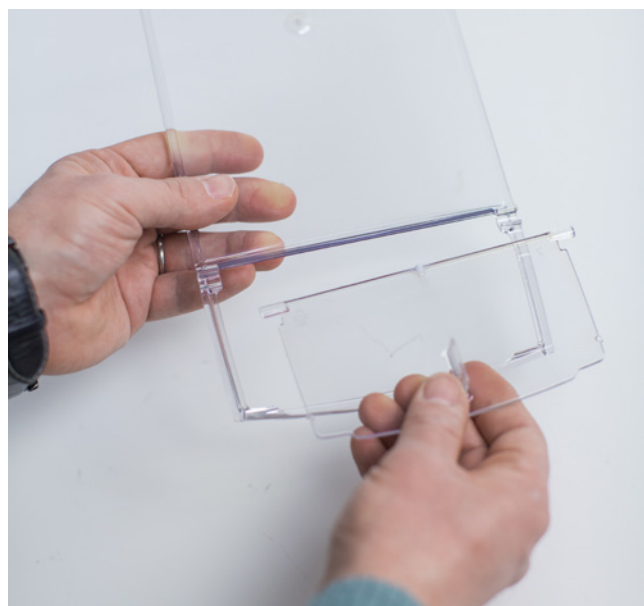
Bin assembling *(cont.)*

c. False front assembling (optional)

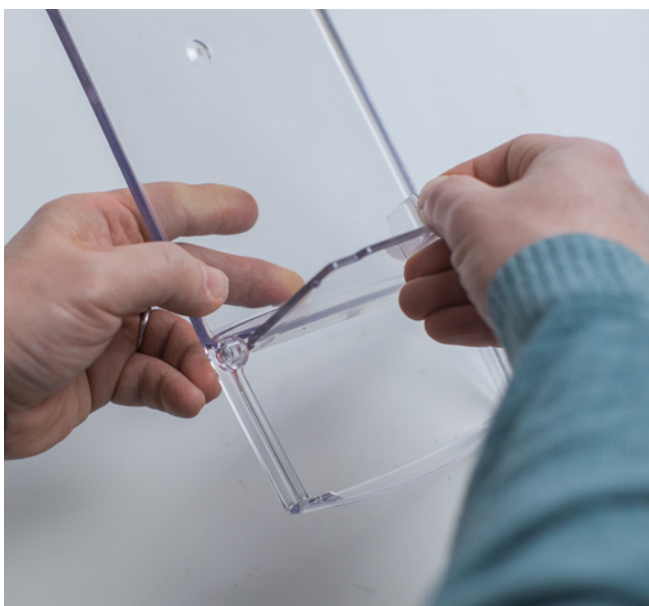
The false front can be installed without removing the bin from the shelf.



- 1 Take the false front and the door. The false front has one closed and one open hinge connection. Hold it so that the open hinge connection is facing you.



- 2 To insert the door: hold it in 90 degrees angle to the false front, with the door handle facing up. Slide it from right to left into the hinges.



- 3 Push the door down to lock it.



Bin assembling *(cont.)*

c. False front assembling (optional)

- 4** Put the lower end of the false front on the bumps on the top of collar.



- 5** Push the upper part of the false front so that the two upper hooks connect with the bin body.

The false front is now mounted!



Bin assembling *(cont.)*

d. Final assembling



- 1** Fix the bottom hole in the nozzle of the front cover onto the bottom hook of the body.



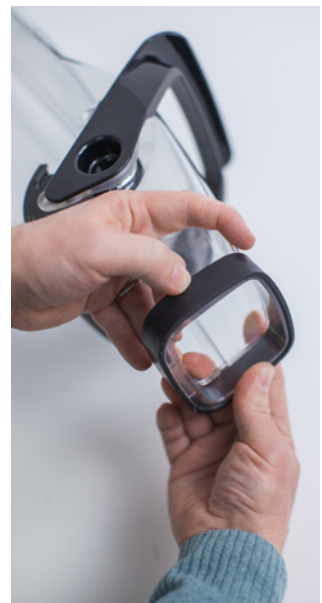
- 2** Snap the two connectors on the bin front onto the bin body. You should hear a click when they are securely fastened.



- 3** Put the lid on top of the gravity bin.



- 4** Optional: fix the sleeve around the base of the nozzle.



Agitator disassembly

To disassemble, follow the instructions below:

- 1 Take off the lid.



- 2 To unlock the front from the body, pull the top left side of the front and push the connector. Repeat the same action on the right side.



- 3 Take off the false front door, if it is used.



- 4 Disassemble the plug from a pin on one side.



Agitator disassembling *(cont.)*

To disassemble, follow the instructions below:

- 5** Slide out a pin from the bin body.



- 6** Repeat the same action for the second pin.



- 7** Take out the collar and agitator part.



- 8** Unhook metal clip.



Agitator disassembling *(cont.)*

To disassemble, follow the instructions below:

- 9 Parts are disconnected and ready for cleaning.



Agitator assembly

To disassemble, follow the instructions below:

- 1 Connect the collar to the part with handle.



- 2 Insert the metal clip through the collar and connect it with the agitator.



- 3 Fix the entire front with the bin body.



- 4 Mount the false front divider.



Agitator assembling (cont.)

To disassemble, follow the instructions below:

5 Close the front part.



6 Mount both pins and caps.



7 Mount the top lid.



HL DISPLAY AB

Cylindervägen 18 Box 1118
131 26 Nacka Strand, Sweden

Tel +46 8 683 73 00

www.hl-display.com
info@hl-display.com

