

## Ad'Lite™ 24V and power infrastructure

Mounting instruction

## Table of content

<b>Important safeguards</b> .....	3
For your safety .....	3
Operating temperature.....	3
LED driver compatibility .....	3
<b>Items</b> .....	4
PowerTrack™ .....	4
LED drivers .....	5
LED fixtures .....	6
Accessories, cables .....	7
Accessories, mounting .....	7
<b>Mounting instructions</b> .....	8
PowerTrack™ .....	8
LED fixtures .....	11
Connecting LED fixtures .....	18
<b>Maintenance</b> .....	22
<b>Disassembly instructions</b> .....	23
PowerTrack™ .....	23
LED fixtures .....	25
Other .....	28

## Important safeguards



Read these instructions carefully before installing any parts of this system. Save these instructions for future reference and maintenance work.

### For your safety

When using electrical equipment, basic safety precautions should always be followed including the following:

- 1 Before installing Ad'Lite™ LED or doing any maintenance, make sure to turn off the LED driver and pull out the plug from wall socket
- 2 Do not use outdoors
- 3 Do not use this equipment for other than intended use or with other manufacturers equipment not provided by HL

**Caution: To reduce the risk of overheating and fire do not bridge conductors**

### Operating temperature

Minimum is **-20°C**

Maximum is **50°C**

### LED driver compatibility

#### LED driver

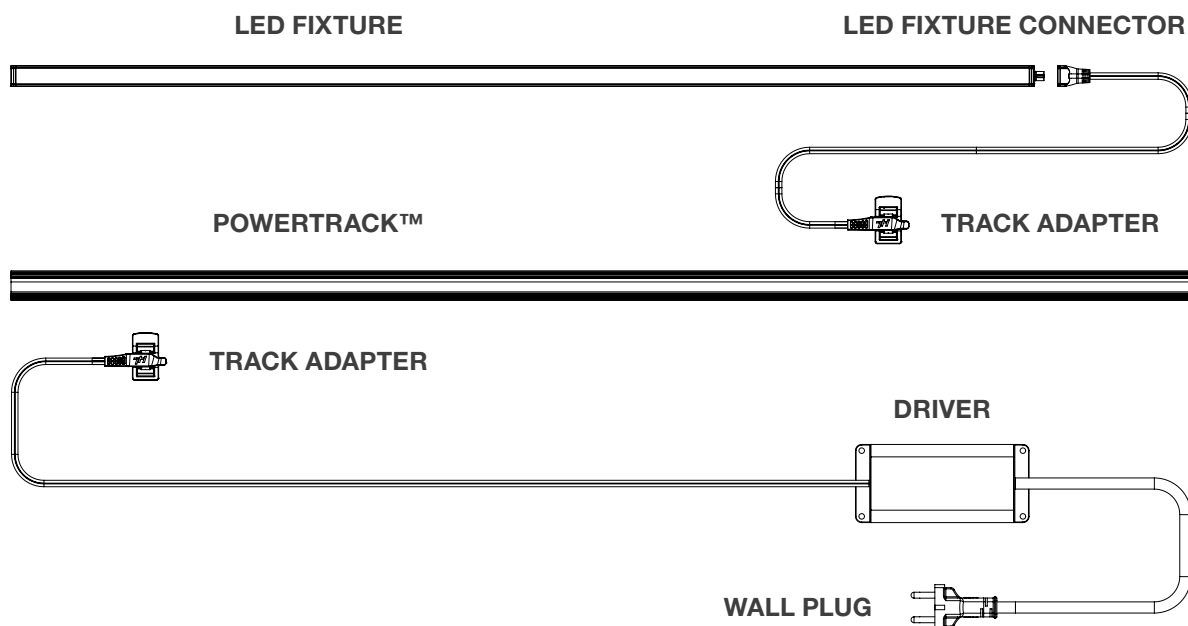
LED DRIVER 24V**4A**-100W-PT24-AWG16

LED DRIVER 24V**8A**-200W-PT24-AWG16

#### Rated AC input voltage

100-305VAC, 50/60Hz

100-305VAC, 50/60Hz



# Ad'Lite™ 24V and power infrastructure

**PowerTrack™ is not compatible with a Class I system**

## Items

### PowerTrack™



PT24



PT24-END CAP

Item code	Item name	Product	Item description	Color
474626	PT24-taTM19-le0900-coS	PT24	900mm electrical supply track incl. two end caps	Black
474628	PT24-taTM19-le0900-coW			White
474627	PT24-taTM19-le0900-coS10			Grey
474598	PT24-taTF19-le0900-coS			Black
474625	PT24-taTF19-le0900-coW			White
474624	PT24-taTF19-le0900-coS10			Grey
474650	PT24-END KIT coS	PT24-END CAP	Spare part, end cap for electrical supply track	Black

# Ad'Lite™ 24V and power infrastructure

## Items

### LED driver



LED DRIVER 24V

### Max power load tables

#### LED fixture quantity per driver and installation method

LED fixture effect (W). Driver output power (W). Parallel or serial installation

Item code	Item name	Product	Item description	Color
475184	LED DRIVER 24V4A-100W-PT24-AWG16-le1000	LED DRIVER 24V	LED driver 24V <b>4A</b> (100W) incl. electrical supply track adapter and wall plug Type F	N/A
474554	LED DRIVER 24V8A-200W-PT24-AWG16-le1000	LED DRIVER 24V	LED driver 24V <b>8A</b> (200W) incl. electrical supply track adapter and wall plug Type F	N/A

<b>Max load</b>		Max number of fixtures to connect to one driver		Max number of fixtures to connect in series to one driver	
Fixture	Power in (W)	4A driver 100W	8A driver 200W	4A driver 100W	8A driver 200W
le0300	1,8	50	100	25	25
le0600	4,5	20	40	10	10
le0900	7,1	12	25	6	6
le1200	9,8	9	18	4	4

<b>Max number of series connected fixtures per section 4A driver</b>									
Sections	2	3	4	5	6	7	8	9	10
Fixture	Number of shelves/fixtures per section								
le0300	25	16	12	10	8	7	6	5	5
le0600	10	6	5	4	3	2	2	2	2
le0900	6	4	3	2	2				
le1200	4	3	2						

<b>Max number of series connected fixtures per section 8A driver</b>									
Sections	2	3	4	5	6	7	8	9	10
Fixture	Number of shelves/fixtures per section								
le0300	50	33	25	20	16	14	12	11	10
le0600	20	13	10	8	6	5	5	4	4
le0900	12	8	6	5	4	3	3	2	2
le1200	9	6	4	3	3	2	2	2	

Caution: Only use LED drivers specified for SELV (Safety Extra Low Voltage) with short-circuit and overload protection for the Ad'Lite 24V system. The minimum required cable size for the Ad'Lite 24V system is AWG16 (or equivalent), with a cable area of 1,307mm². The maximum allowed cable length between the power adapter and PowerTrack is 2500mm.

## Items

### LED fixtures

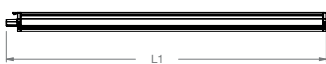


AL-LED24

Item code	Item name	Product	Item description	Color
477149	AL-LED24-830-CTI24-le0300	AL-LED24	LED fixture 230mm, 1.8W, 3000K	Aluminum
474536	AL-LED24-840-CTI24-le0300		LED fixture 230mm, 1.8W, 4000K	
474537	AL-LED24-860-CTI24-le0300		LED fixture 230mm, 1.8W, 6000K	
477148	AL-LED24-830-CTI24-le0600		LED fixture 530mm, 4.5W, 3000K	
474538	AL-LED24-840-CTI24-le0600		LED fixture 530mm, 4.5W, 4000K	
474539	AL-LED24-860-CTI24-le0600		LED fixture 530mm, 4.5W, 6000K	
477147	AL-LED24-830-CTI24-le0900		LED fixture 830mm, 7.1W, 3000K	
474540	AL-LED24-840-CTI24-le0900		LED fixture 830mm, 7.1W, 4000K	
474541	AL-LED24-860-CTI24-le0900		LED fixture 830mm, 7.1W, 6000K	
477146	AL-LED24-830-CTI24-le1200		LED fixture 1130mm, 9.8W, 3000K	
475185	AL-LED24-840-CTI24-le1200		LED fixture 1130mm, 9.8W, 4000K	
475186	AL-LED24-860-CTI24-le1200		LED fixture 1130mm, 9.8W, 6000K	

All LED fixtures belongs to Energy efficiency class D

Lengths		Total length to consider when installed in parallel		Total length to consider when installed in serial	
Fixture	L1	L2 L1 + male connector	L3 L2 + cable bending	L4 L1 + male & female connector	L5 L4 + cable bending
le0300	230	250	255	270	280
le0600	530	550	555	570	580
le0900	830	850	855	870	880
le1130	1130	1150	1155	1170	1180



The light source of this luminaire is not replaceable; when the light source reaches its end of life the whole luminaire shall be replaced.

# Ad'Lite™ 24V and power infrastructure

## Items

### Accessories, cables



LED24 FIXTURE  
CABLE POWER



LED24 FIXTURE  
CABLE SERIAL



PT24 POWER  
CABLE BRIDGE

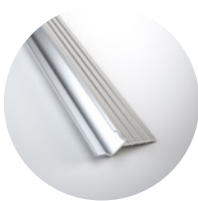


PT24 POWER  
CABLE OPEN

Item code	Item name	Product	Item description	Color
474542	AWG16-PT24A-CT24M-le0650-coS	LED24 FIXTURE CABLE POWER	650mm cable with electric supply track adapter and male LED fixtures connector	Black
474543	AWG16-PT24A-CT24M-le0650-coW			White
474546	AWG16-CT24M-CT24F-le0150-coS	LED24 FIXTURE CABLE SERIAL	150mm cable with male and female LED fixtures connector	Black
474547	AWG16-CT24M-CT24F-le0150-coW			White
474532	AWG16-PT24Ax2-le0150-coS	PT24 POWER CABLE BRIDGE	150mm cable with electrical supply track adapter in both ends	Black
474533	AWG16-PT24Ax2-le0150-coW			White
474534	AWG16-PT24A-OE-le1200-coS	PT24 POWER CABLE OPEN	1200mm cable with track adapter in one end	Black
474535	AWG16-PT24A-OE-le1200-coW			White

The minimum required cable size for the Ad'Lite 24V system is AWG16 (or equivalent), with a cable area of 1,307mm<sup>2</sup>.

### Accessories, mounting



SUA-PROFILE



MOUNTING PLATE



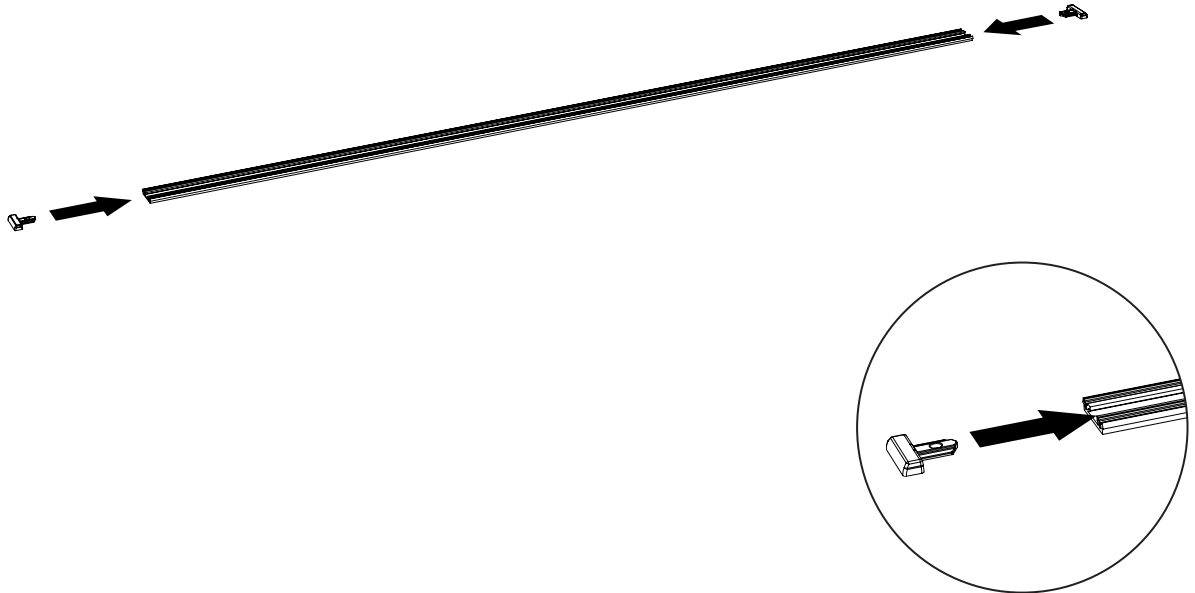
AL-LED24 PLUG

Item code	Item name	Product	Item description	Color
	SUA-PROFILE-le0300			
	SUA-PROFILE-le0600	SUA-PROFILE	Mounting profile for Slimline™ Ultra and CosmeLine™ data list	Aluminum
	SUA-PROFILE-le0900			
	SUA-PROFILE-le1200			
	MOUNTING-PLATE-WOOD-le0050	MOUNTING PLATE	Steel bracket incl. two screws for wood shelf mounting, 50mm	Steel
	MOUNTING-PLATE-GLASS-le0050		Steel bracket incl. tape for glass shelf mounting, 50mm	
475321	AL-LED END-PLUG IP44	AL-LED24 PLUG	End plug for LED fixtures to ensure IP44	Grey

# PowerTrack™ installation

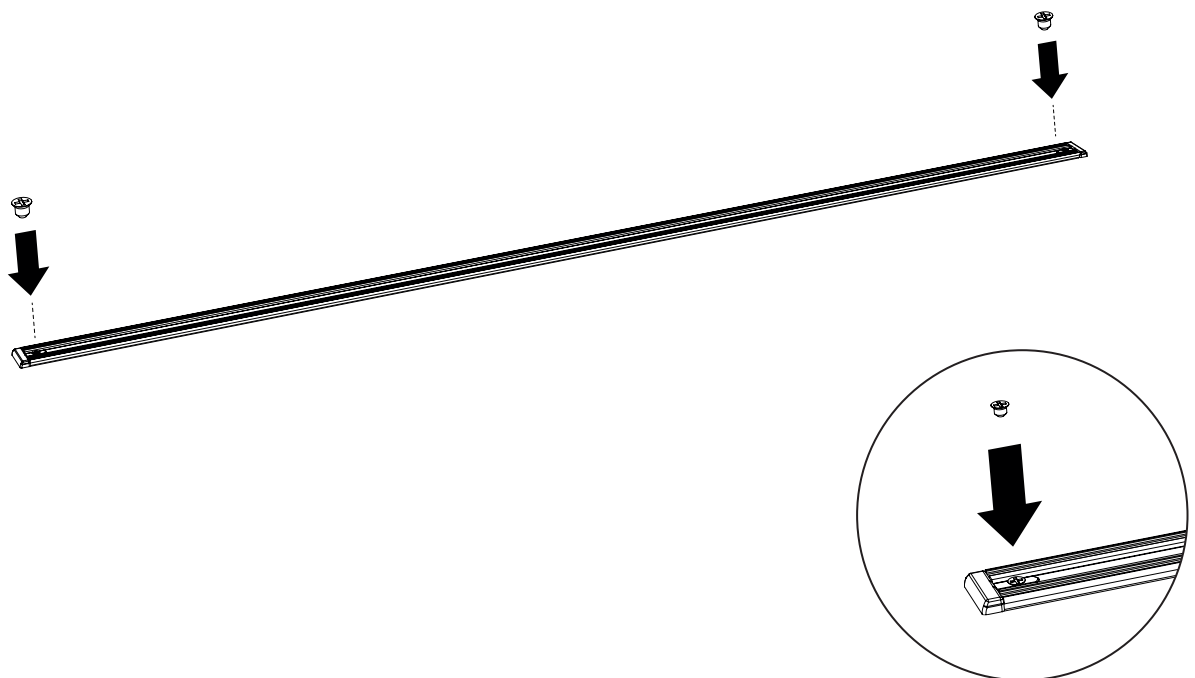
**1**

Mount the end-caps in both ends of the PowerTrack™. Press them in place.



**2**

Fix the end-caps with enclosed screws.

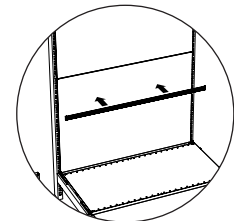
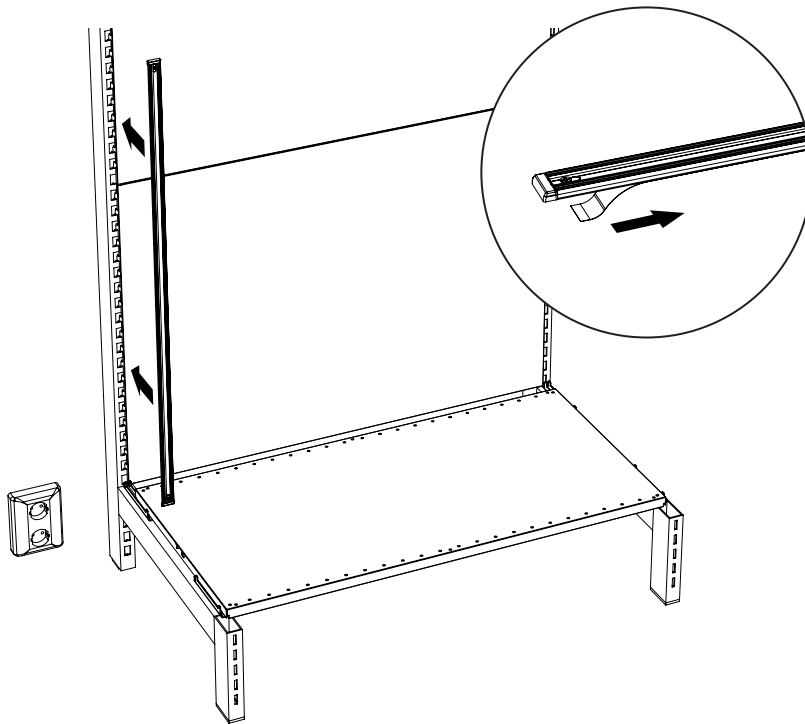




# PowerTrack™ installation

**3**

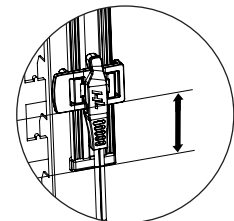
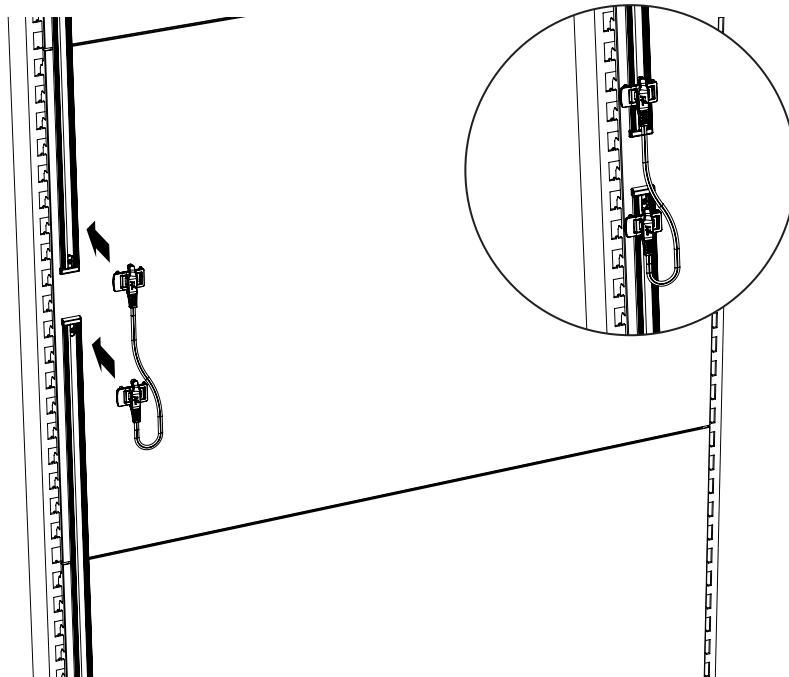
Attach the PowerTrack™ to the back panel of the racking. For tape version of the PowerTrack™, remove the protection film before mounting.



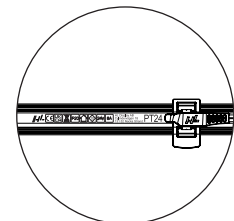
PowerTrack™ may also be wall mounted horizontally

**4**

If more than one PowerTrack™, join them with the AWG16-PT24Ax2 cable by connecting one adapter to each PowerTrack™.



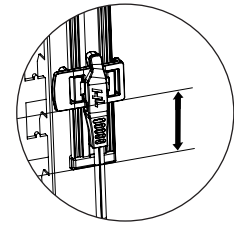
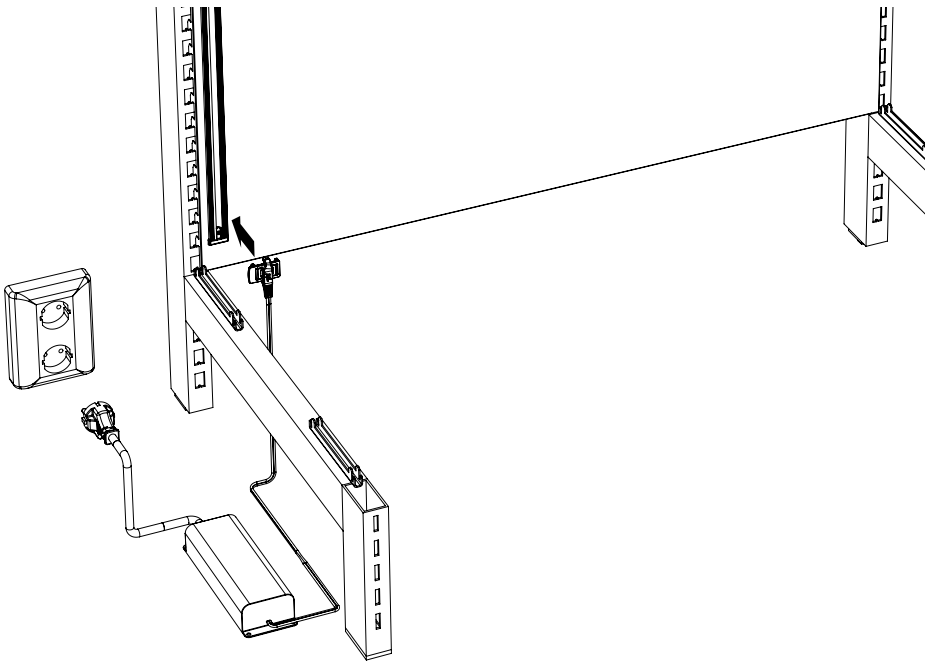
Fasten connectors minimum **3cm** from PowerTrack™ edge



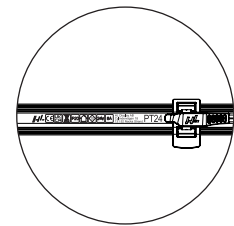
Make sure connectors are aligned with engraving

# PowerTrack™ installation

**5** Plug in the driver. Snap the power adapter to the PowerTrack™.

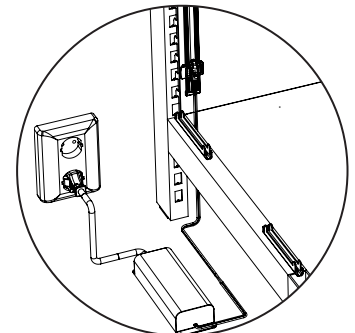
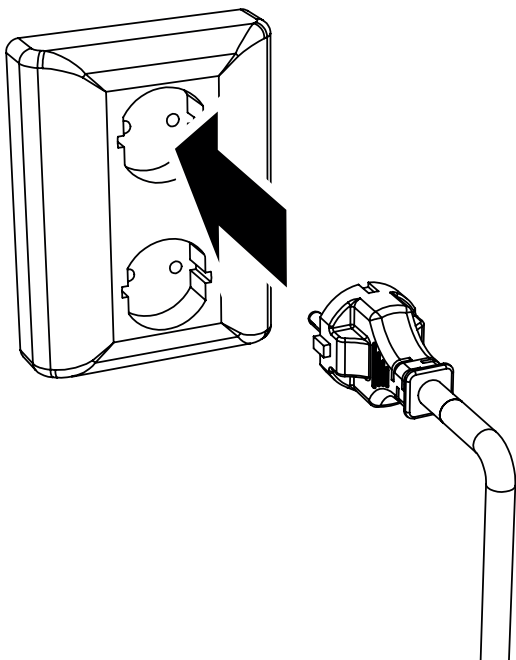


Fasten connectors minimum **3cm** from PowerTrack™ edge



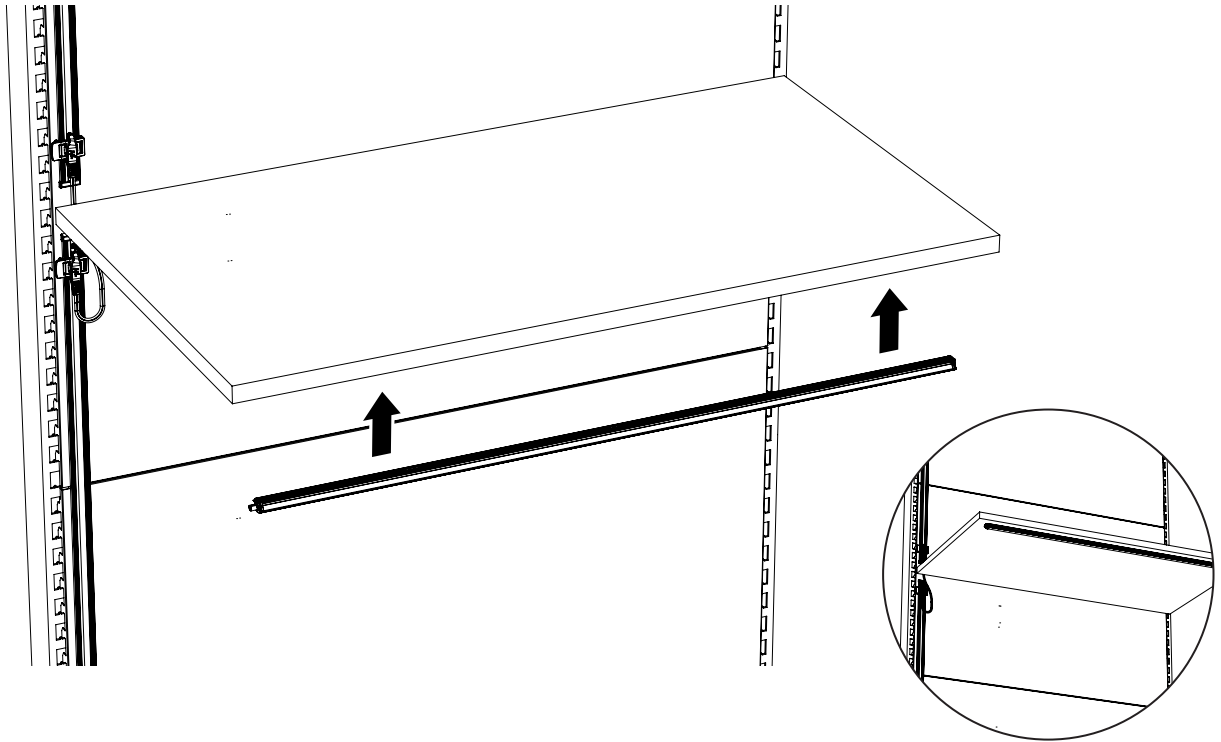
Make sure connectors are aligned with engraving

**6** Plug in the wall plug.



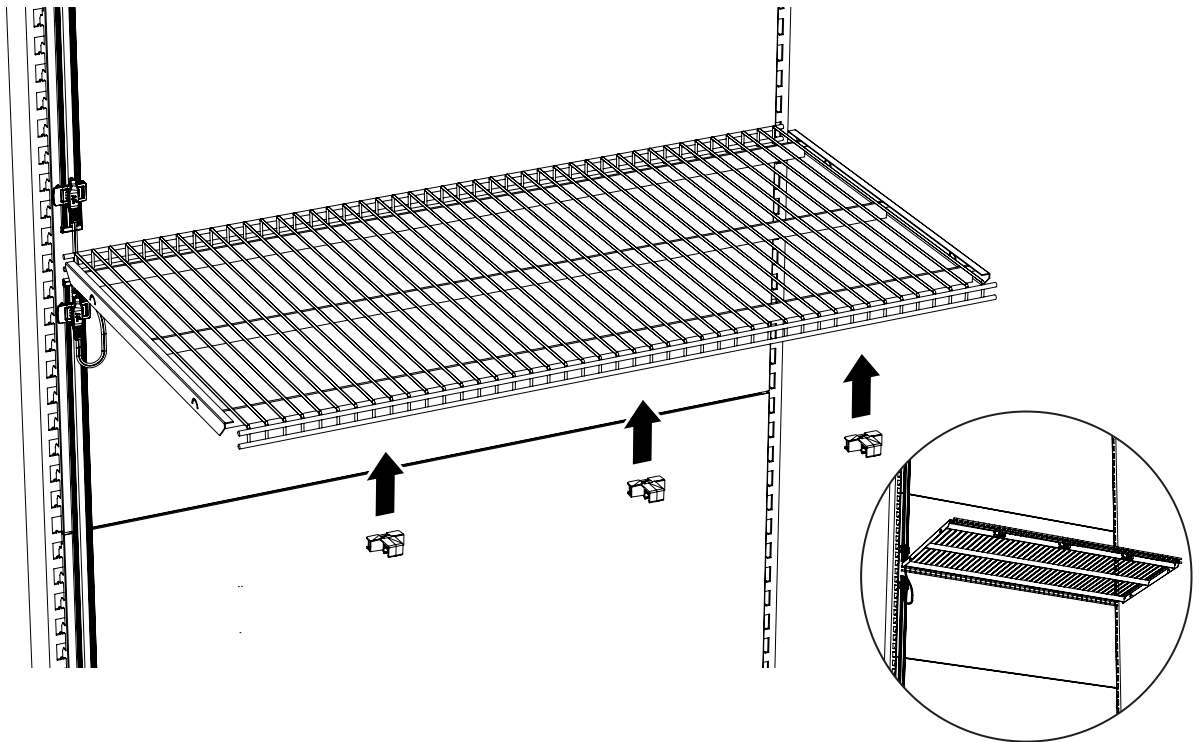
# LED fixtures installation - Metal shelves

- 1** Place the LED fixture at desired position, the LED fixture attaches with integrated magnets.

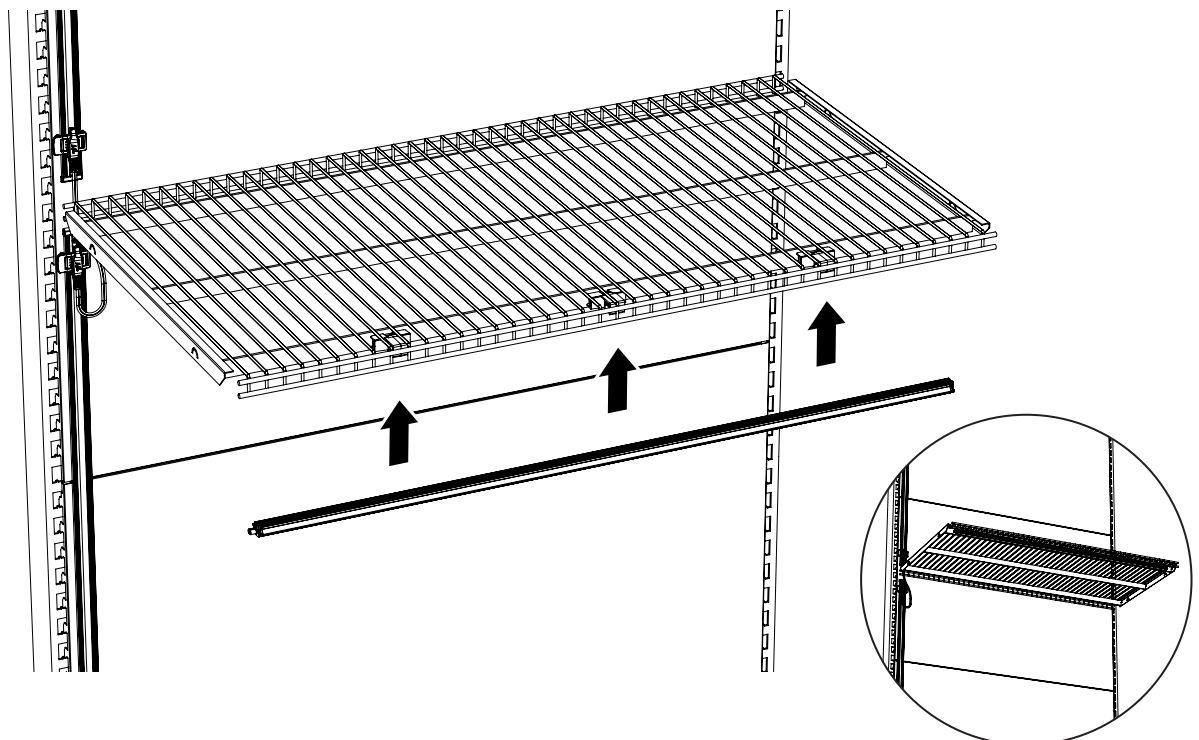


# LED fixtures installation - Wire shelves

- 1** Attach the magnet clip MGTS-270 at the front of the reinforcement bar.

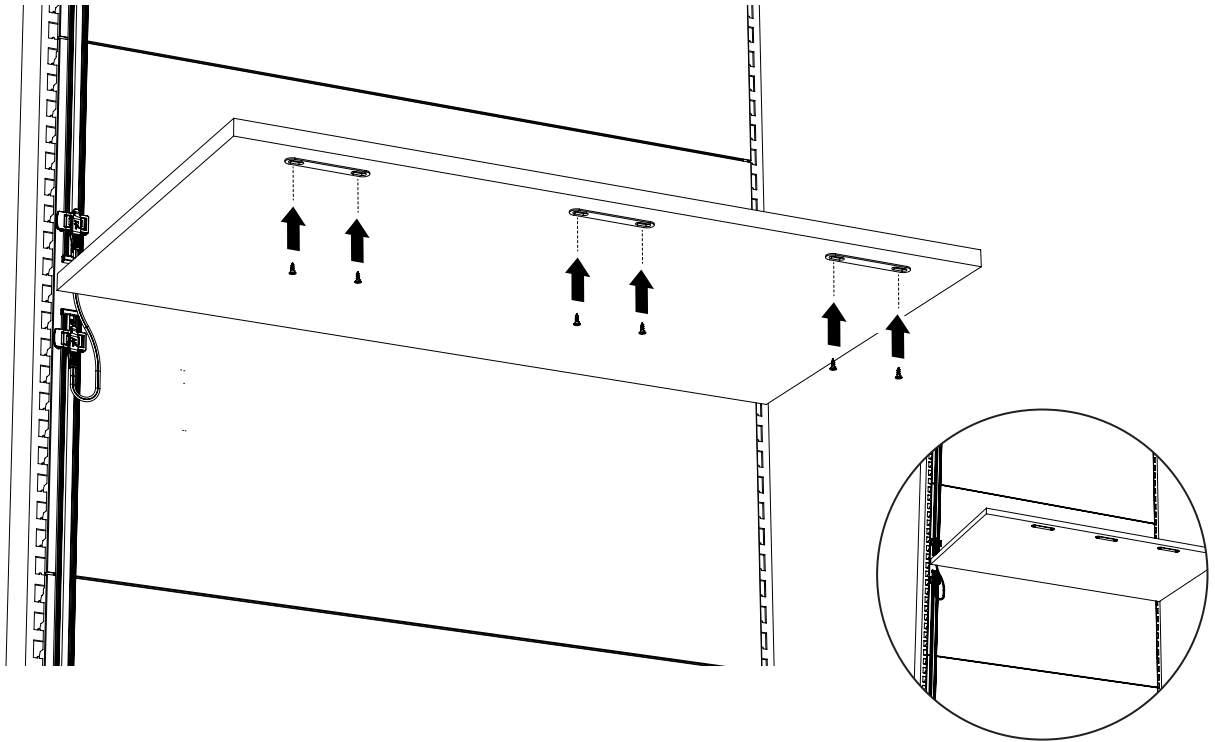


- 2** Attach the LED fixture into the magnet clips.

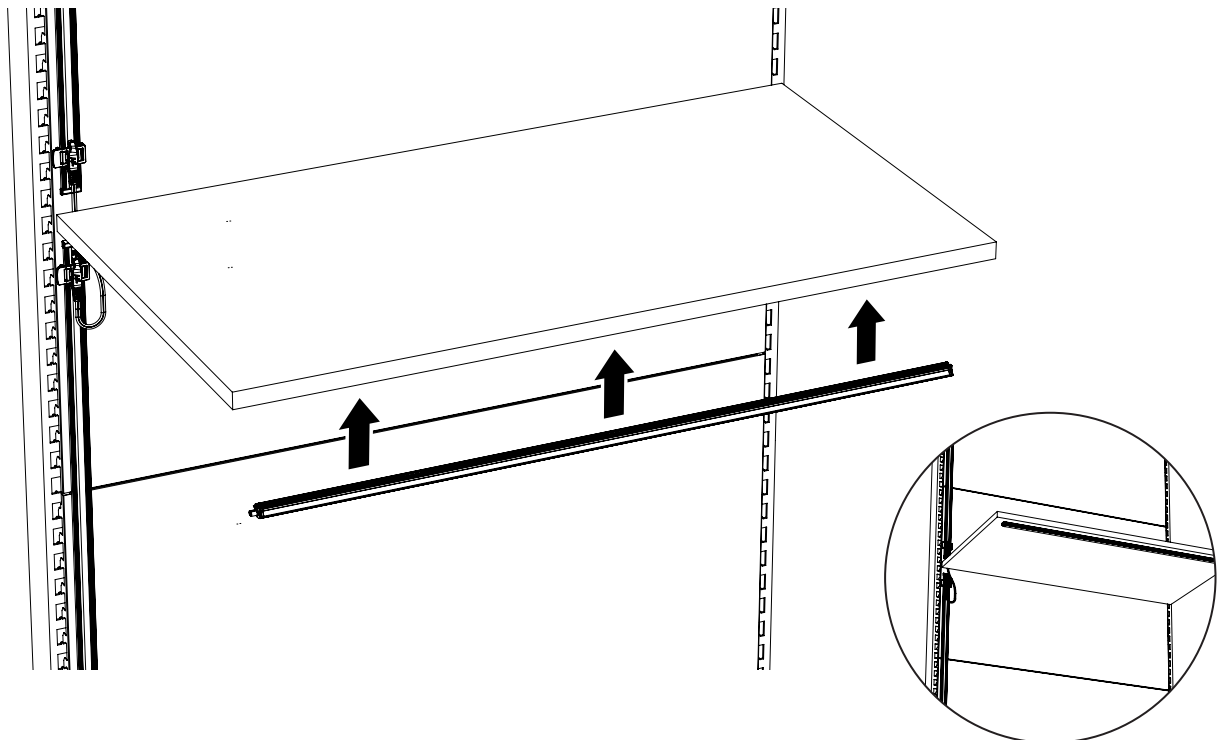


# LED fixtures installation - Wood shelves

- 1** Screw MOUNTING-PLATE-WOOD-le0050 to the shelf. Align placement with the integrated magnets on the LED fixture.

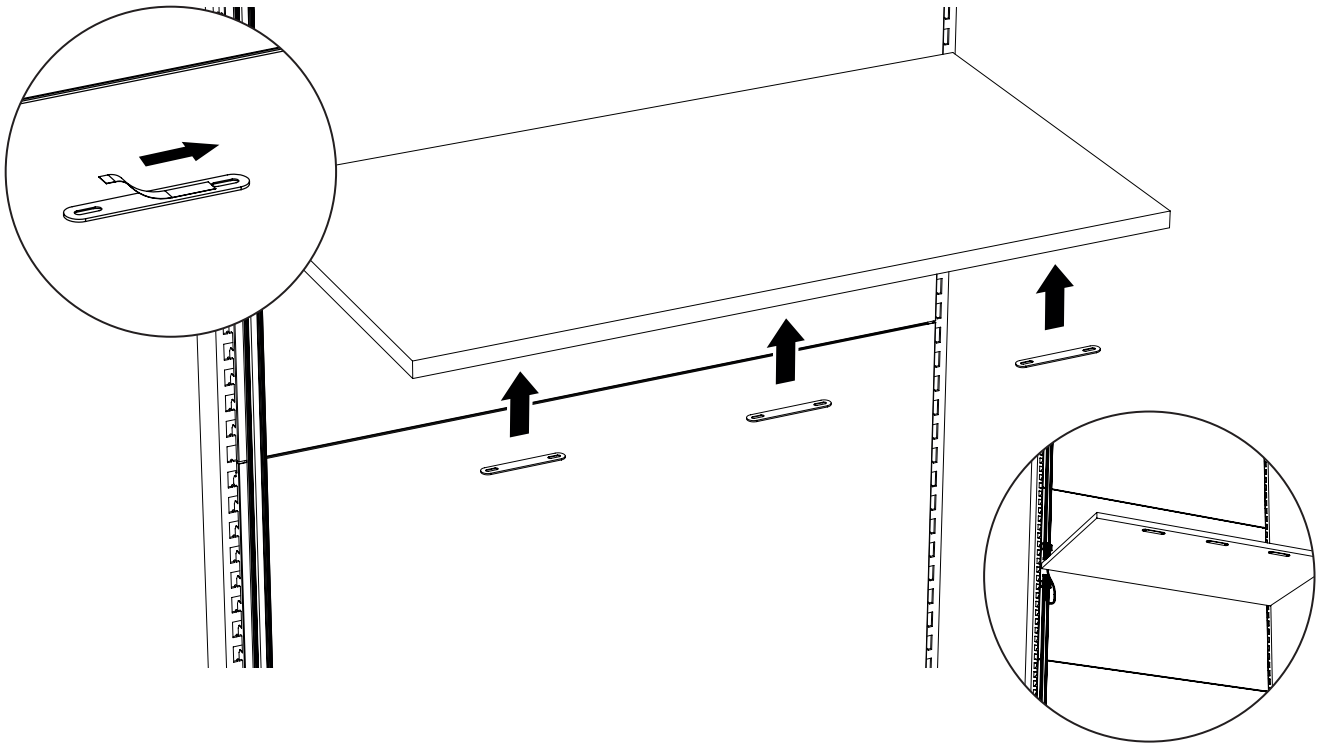


- 2** Place the LED fixture on the plates, the LED fixture attaches with integrated magnets

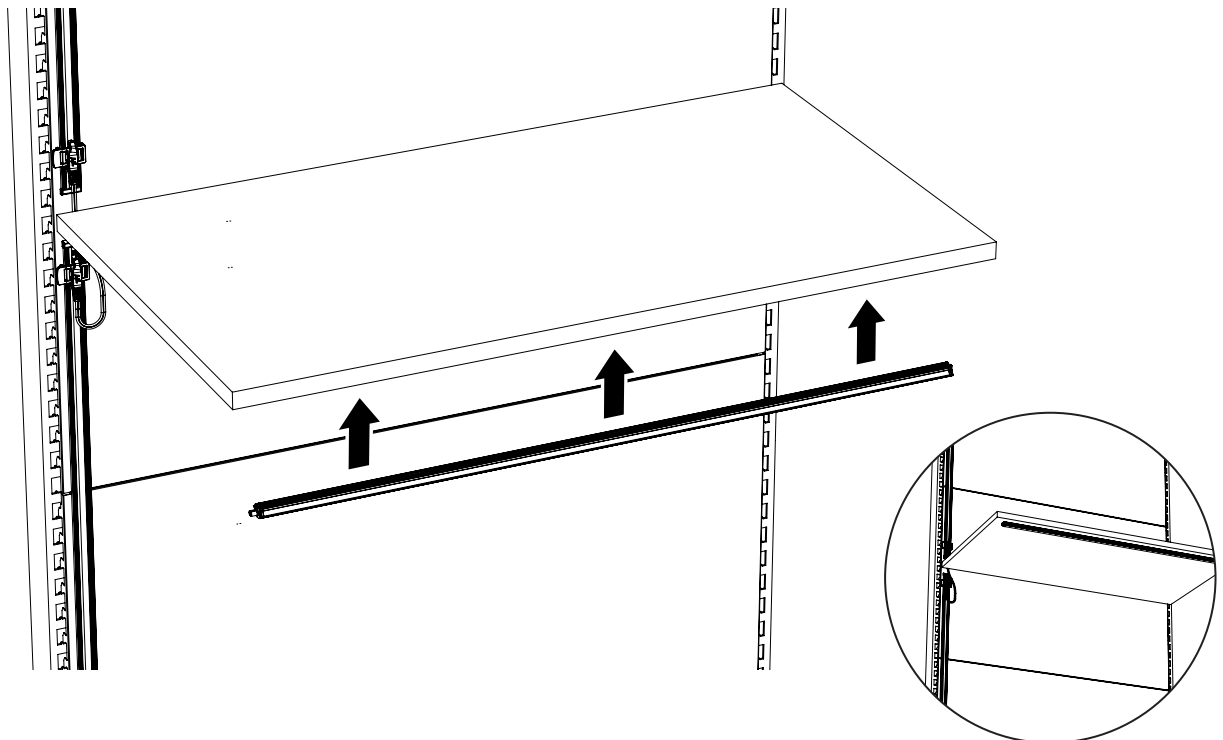


# LED fixtures installation - Glass shelves

- 1** Remove the protection film of MOUNTING-PLATE-GLASS-le0050 and tape it to the shelf. Align placement with the integrated magnets on the LED fixture.

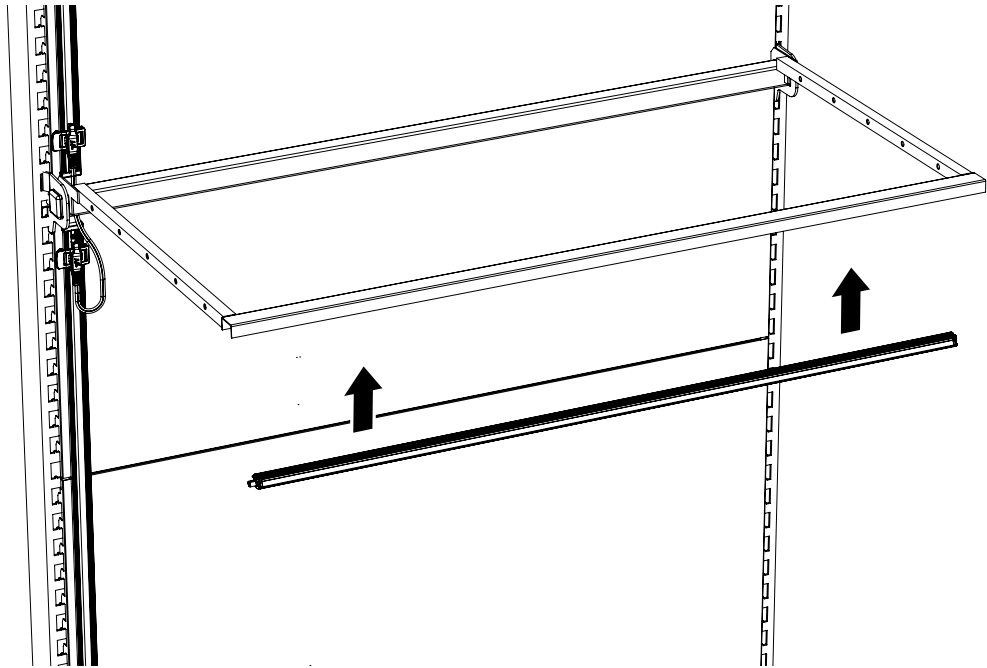


- 2** Place the LED fixture on the plates, the LED fixture attaches with integrated magnets.

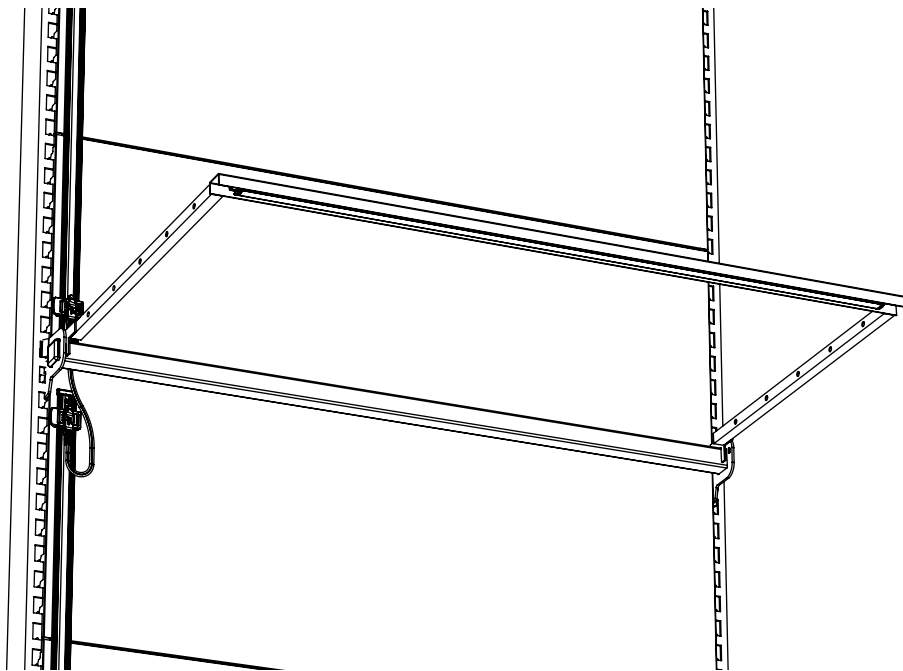


# LED fixtures installation - WP-LIGHT-BAR

- 1** Place the LED fixture into the U-channel.

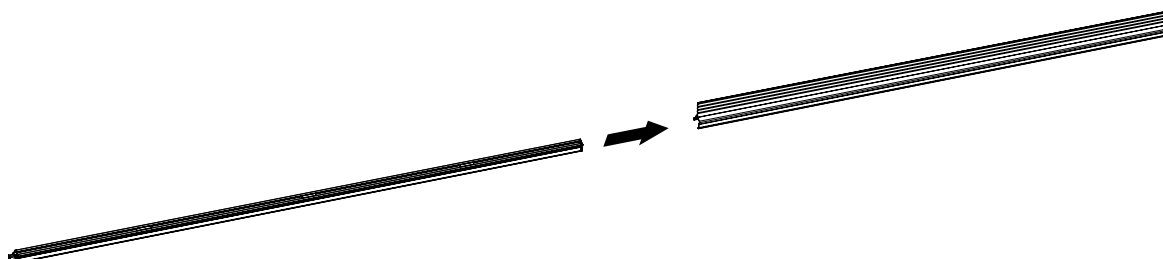


- 2** The LED fixture attaches with integrated magnets.

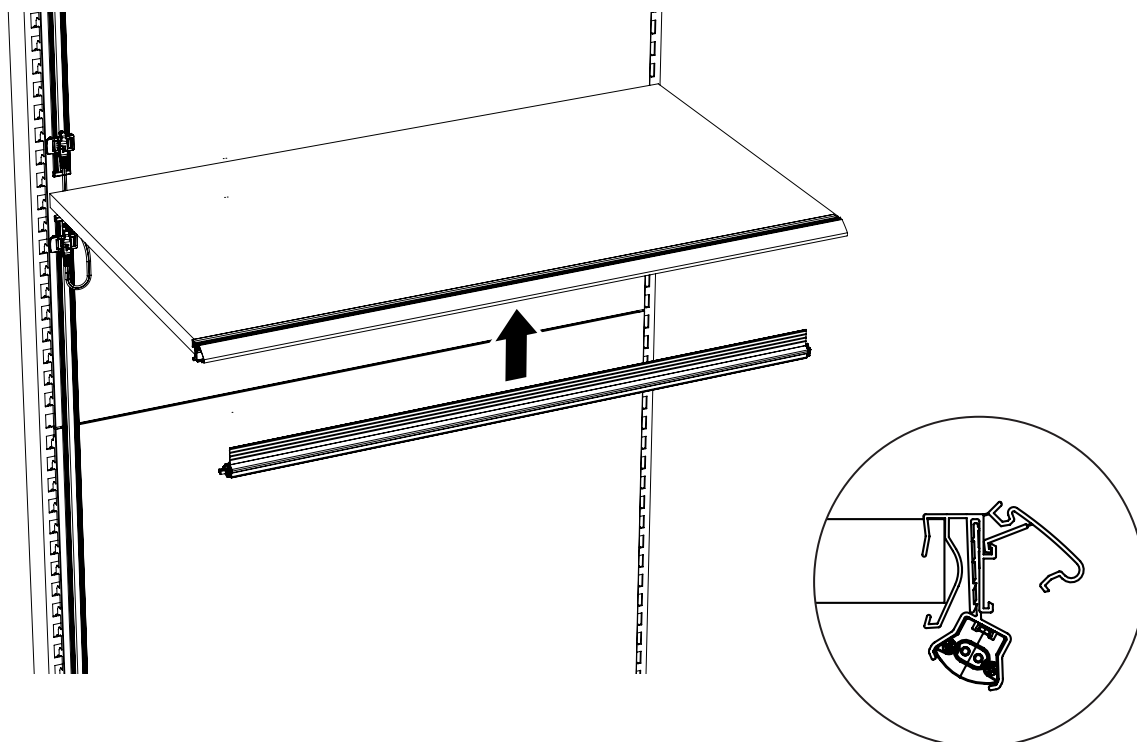


# LED fixtures installation - Slimline™ Ultra

- 1** Slide the LED fixture into SUA-PROFILE.



- 2** Push the tagged lip of the SUA-PROFILE into the intended pocket on the datastrip.

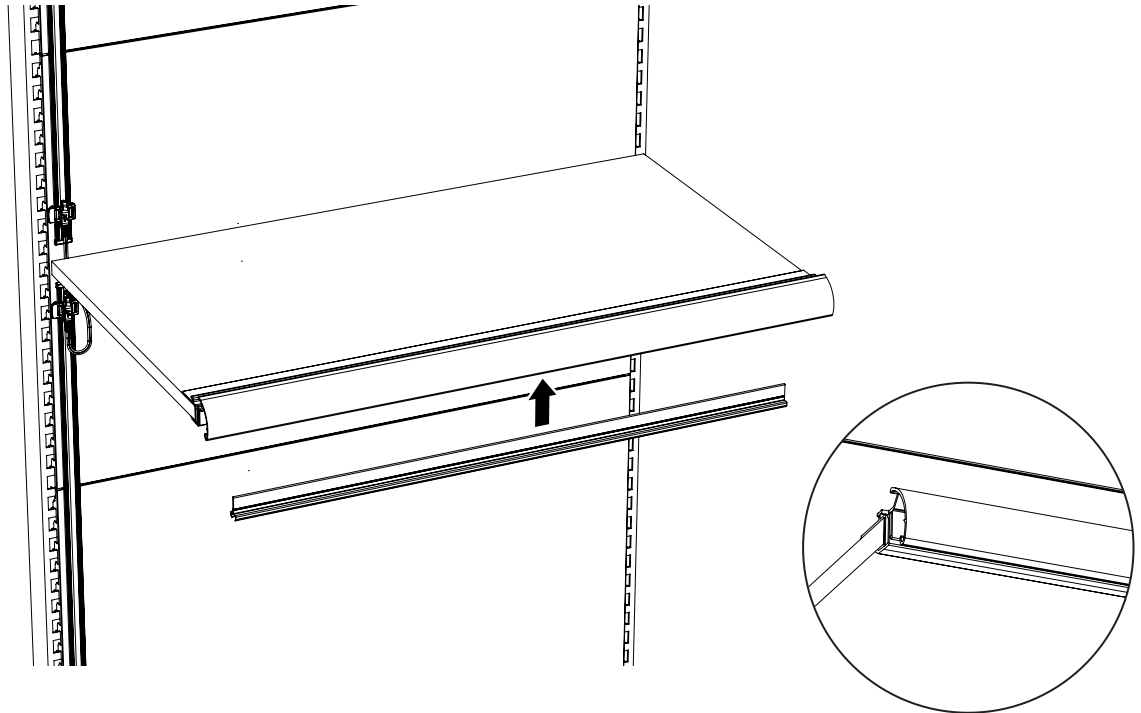




# LED fixtures installation - CosmeLine™

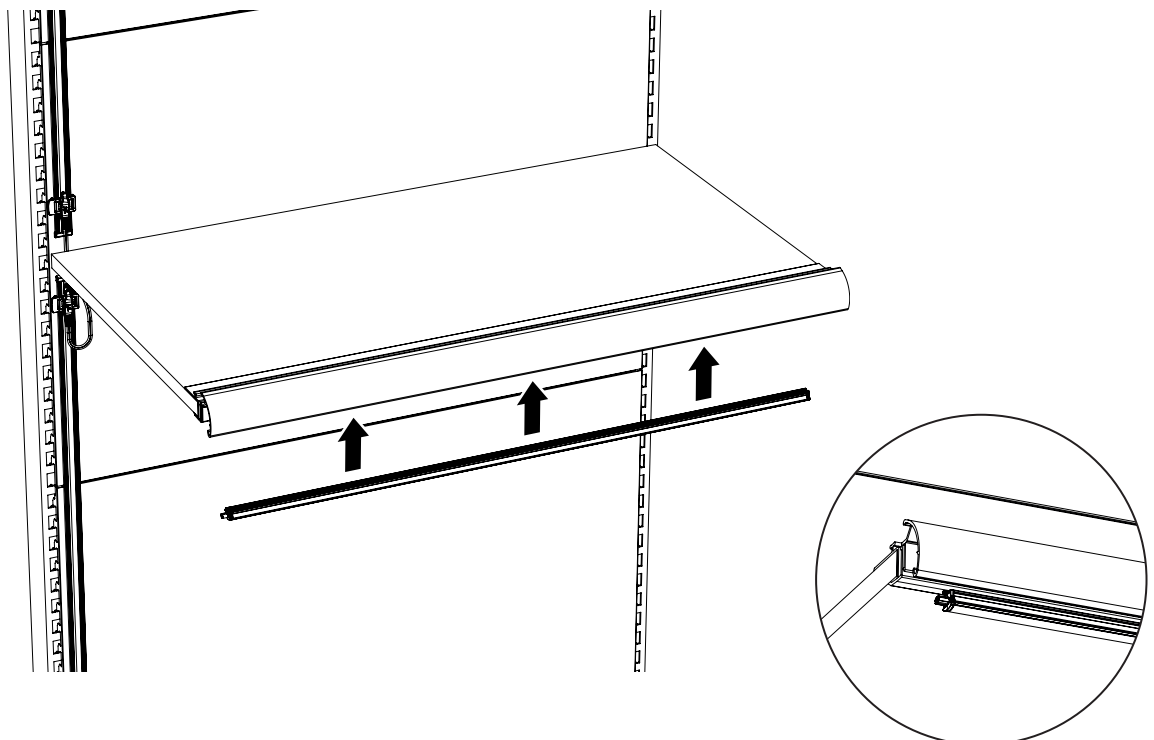
**1**

Push the lip on the CL-OR-XS-PROFILE into the intended pocket on the datastrip.



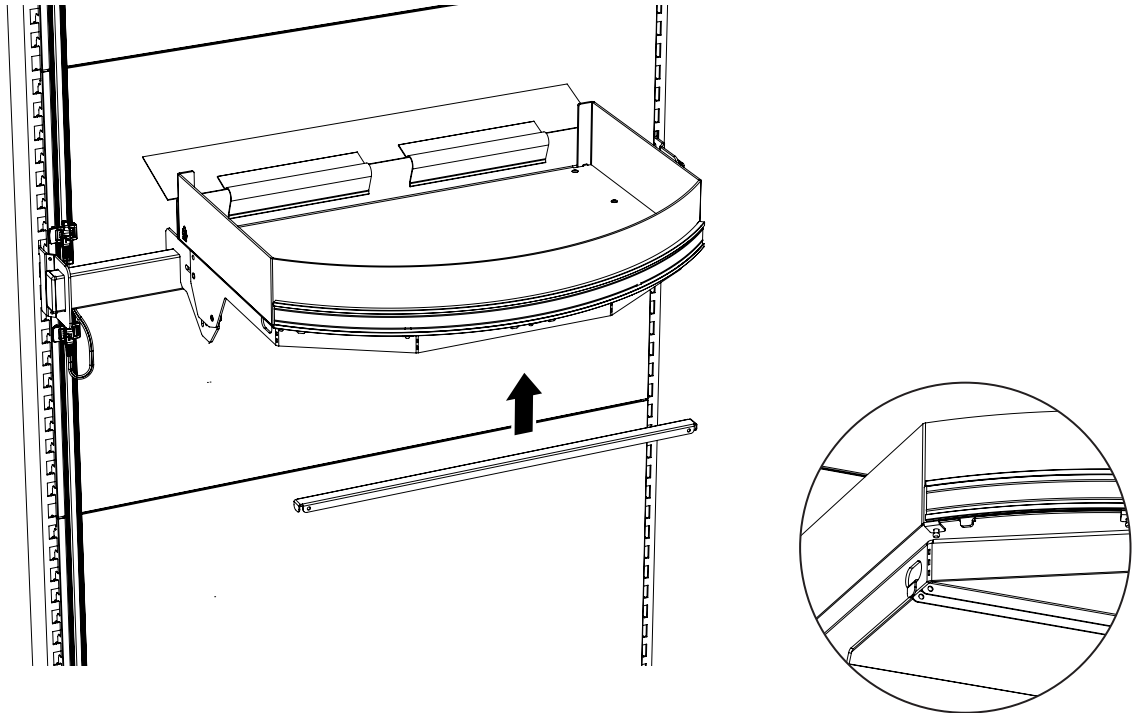
**2**

Snap the LED fixture into the CL-OR-XS-PROFIL.

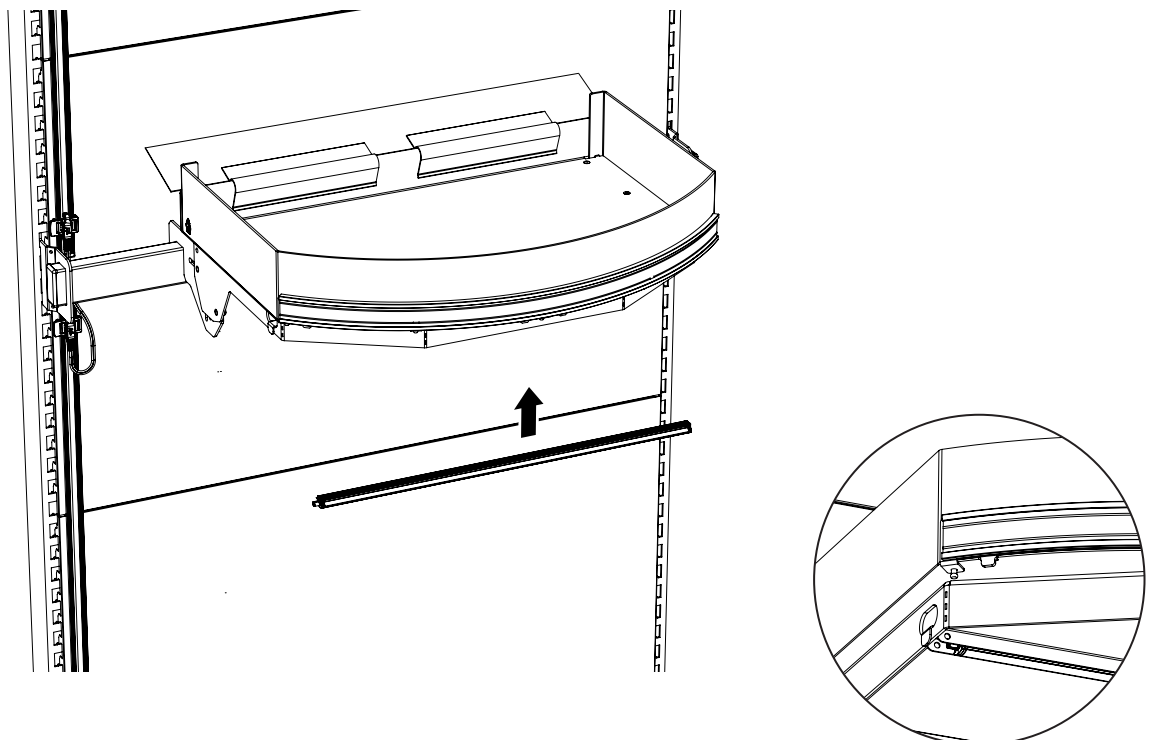


# LED fixtures installation - Sigma Pods

- 1** Fasten the Sigma LED carrier bar onto the pod



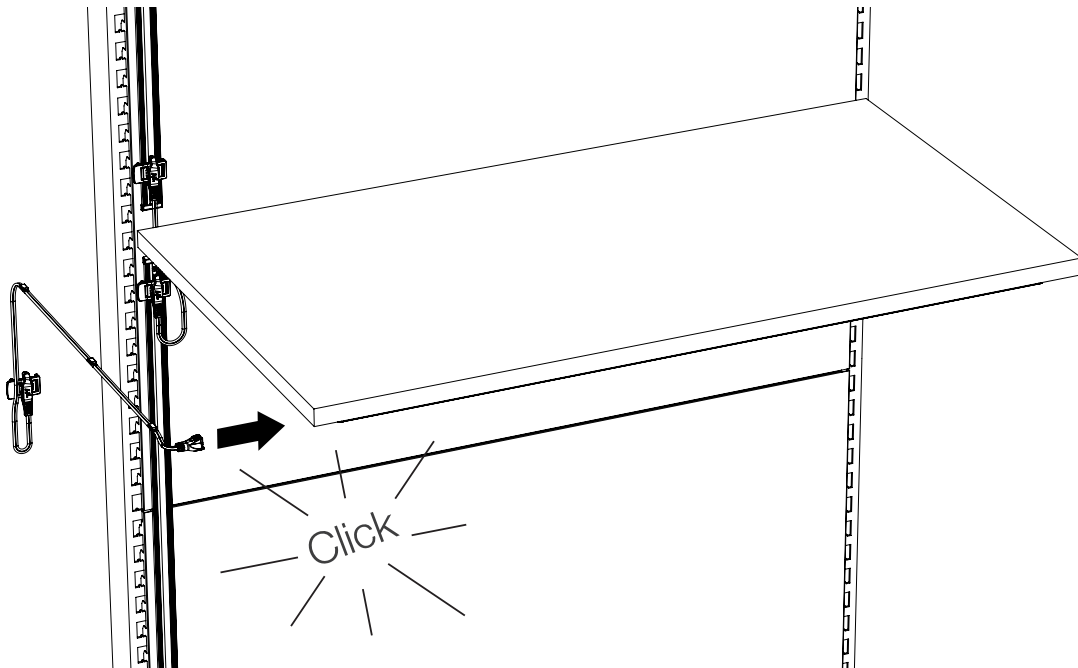
- 2** Add the LED24 fixture



# LED fixtures installation - Connecting individual LED fixtures

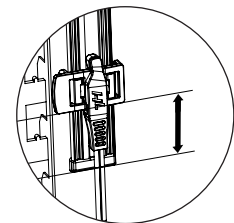
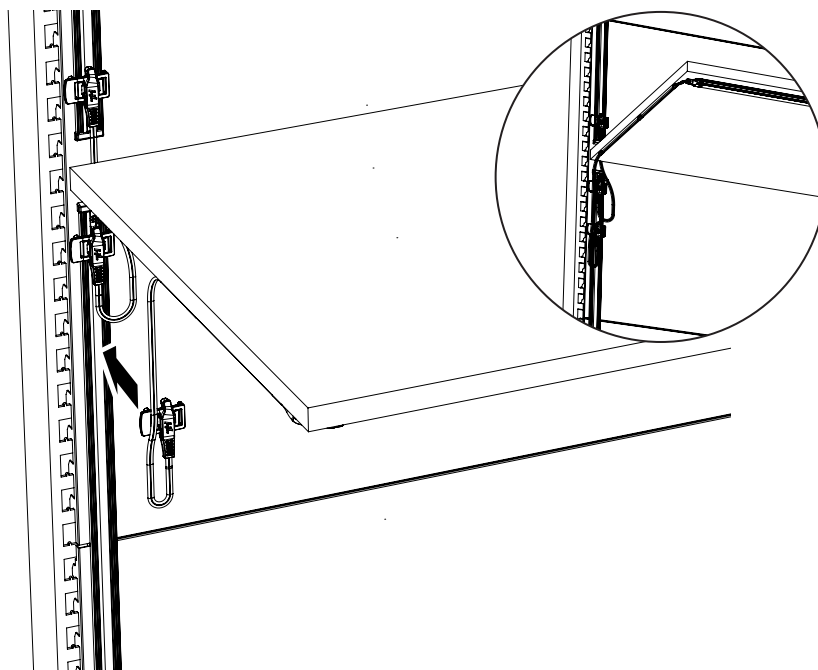
1

Connect LED fixture connector to the LED fixture, press until you hear a click.

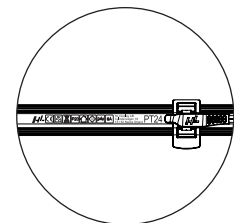


2

Connect the track adapter on the other end of the cable to the PowerTrack™.



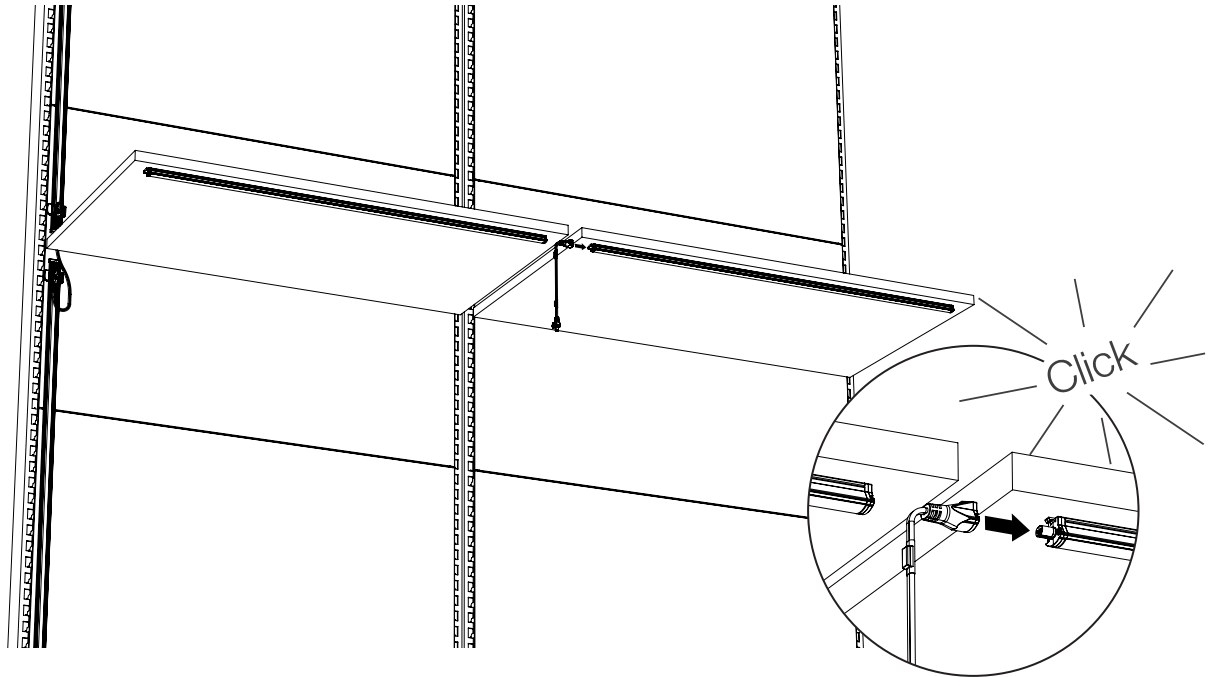
Fasten connectors minimum **3cm** from PowerTrack™ edge



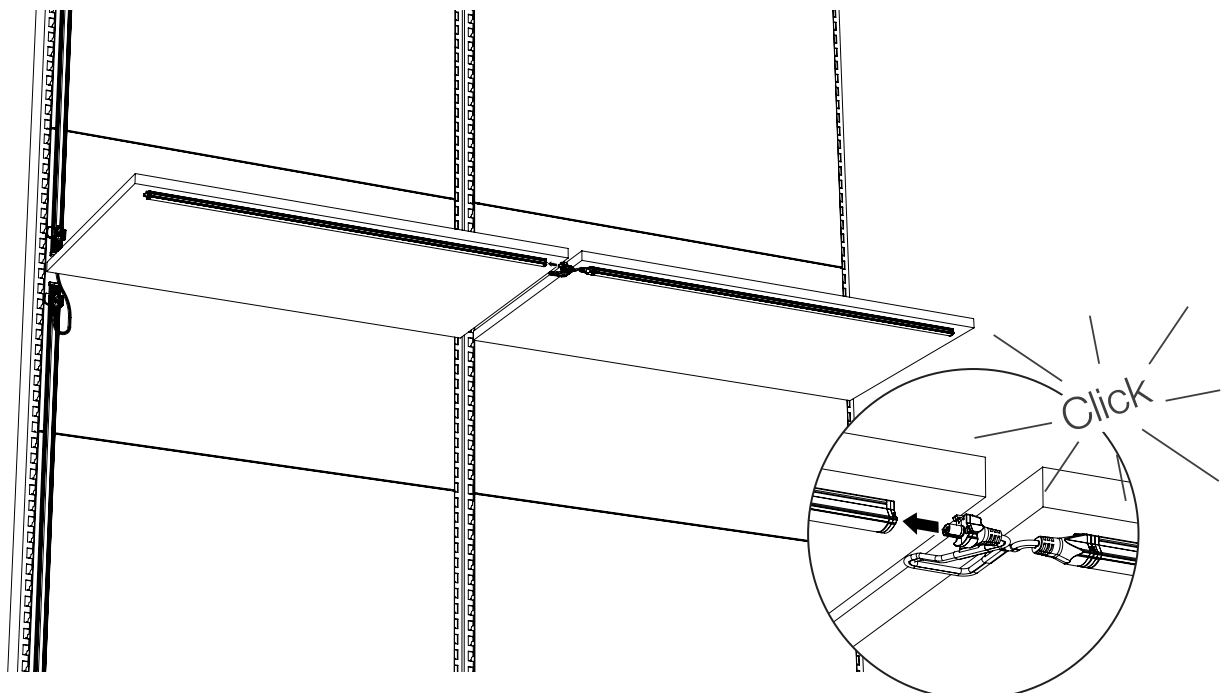
Make sure connectors are aligned with engraving

# LED fixtures installation - Connecting LED fixtures in series, with cable

- 1** Connect LED fixture connector to the first LED fixture you want to connect in series. Press until you hear a click.

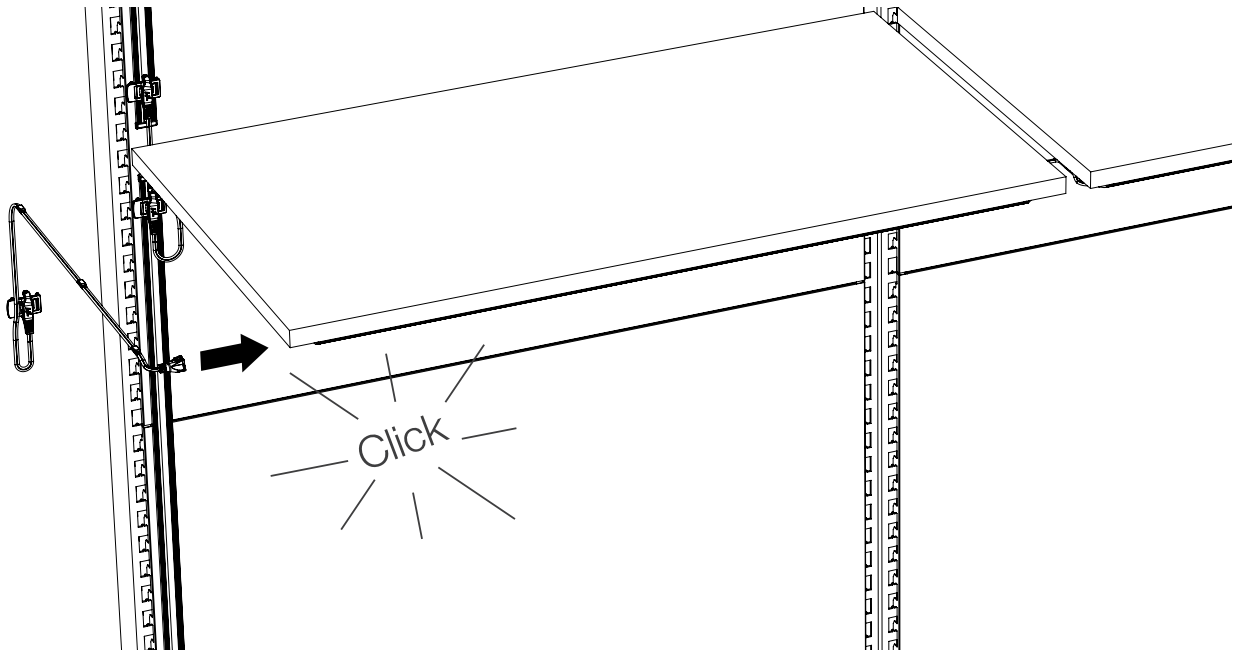


- 2** Connect the LED fixture connector on the other end of the cable to the second LED fixture. Press until you hear a click.

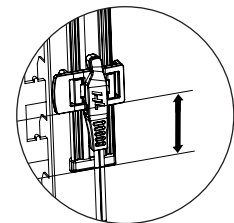
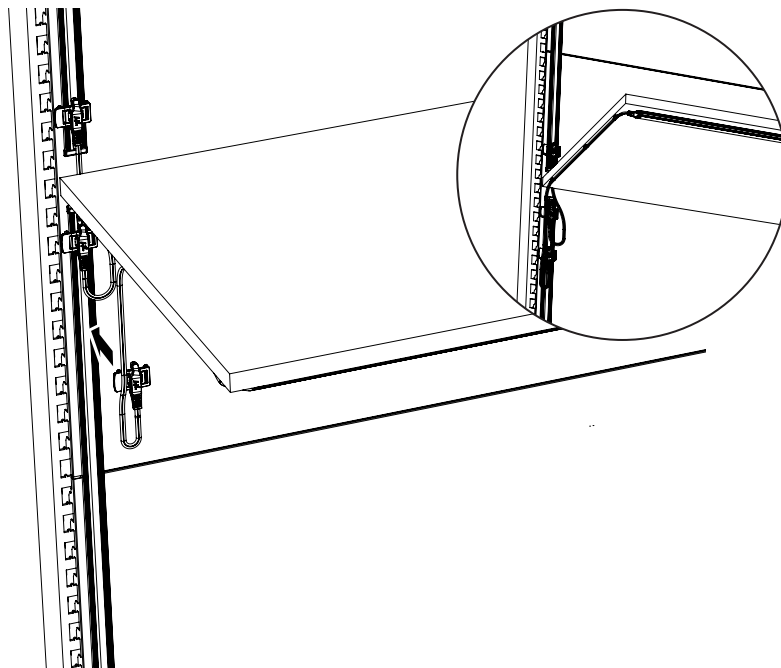


# LED fixtures installation - Connecting LED fixtures in series, with cable

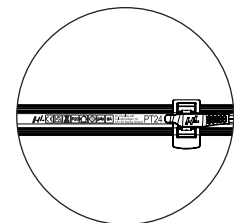
- 3** Connect the LED fixture connector to the LED fixture. Press until you hear a click.



- 4** Connect the track adapter on the other end of the cable to the PowerTrack™.



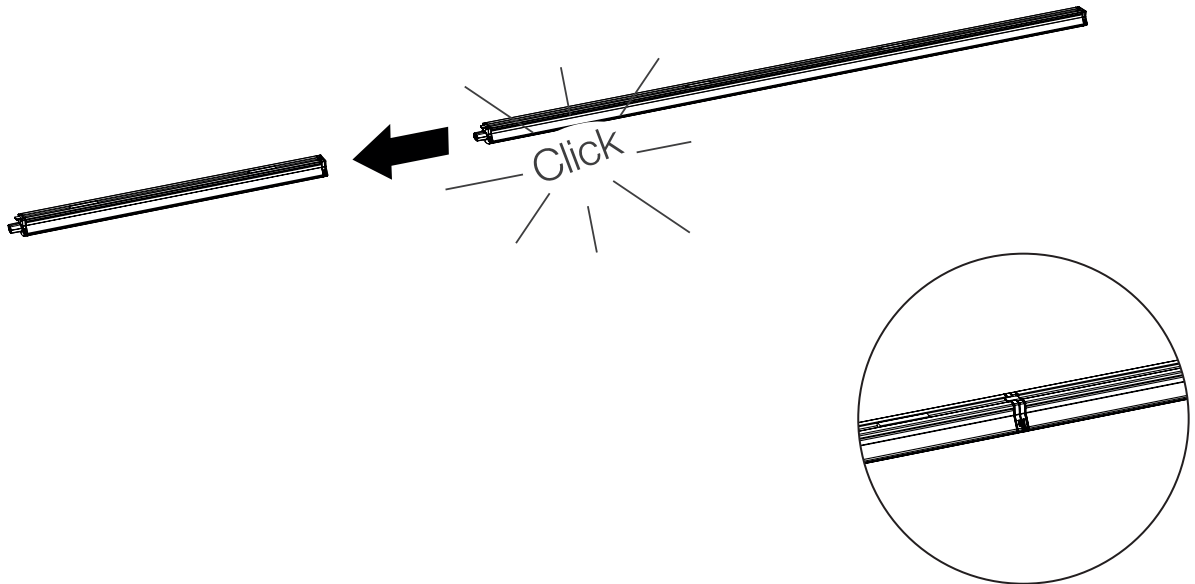
Fasten connectors  
minimum **3cm** from  
PowerTrack™ edge



Make sure connectors are  
aligned with engraving

# LED fixtures installation - Connecting LED fixtures in series, end to end

- 1 Join male side of one LED fixture with the female side of another, press until you hear a click.



## Maintenance

- / Turn off the LED driver
- / Use a dry cloth to clean the LED fixtures and the PowerTrack™

Do not use chemical or abrasive cleaners

# Disassembly instructions PowerTrack™

Before disassembling any parts make sure to

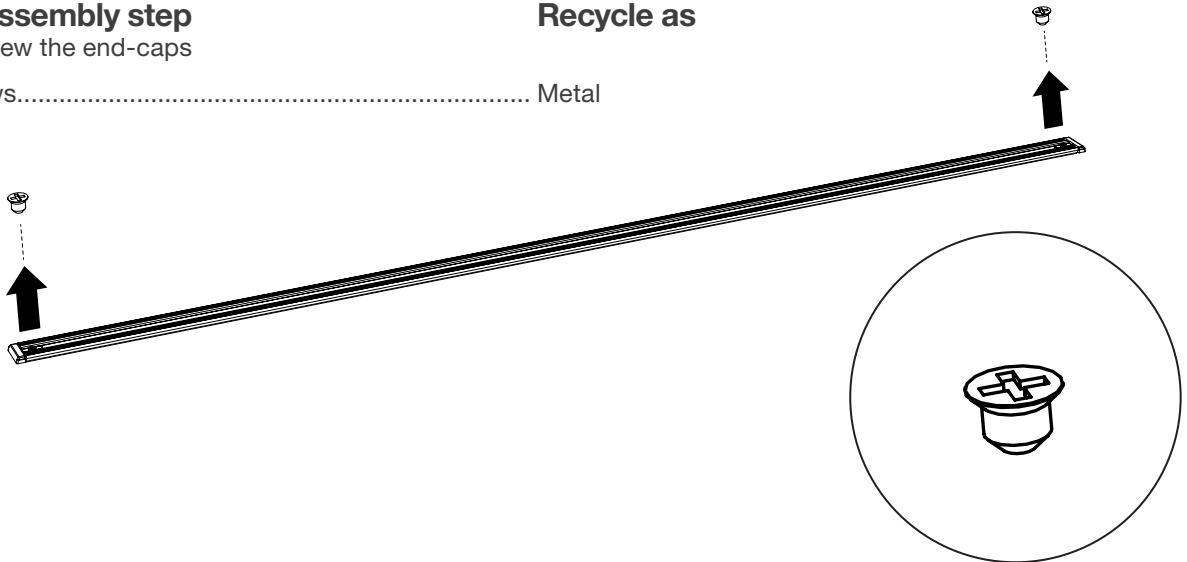
1. Turn off the LED driver – pull out the plug from wall socket
2. Disconnect all wires between PowerTrack™ and LED fixtures as well as between LED fixtures
3. If any LED fixtures are directly connected in series, disconnect these from each other

## 1 Disassembly step

Unscrew the end-caps

Screws..... Metal

## Recycle as

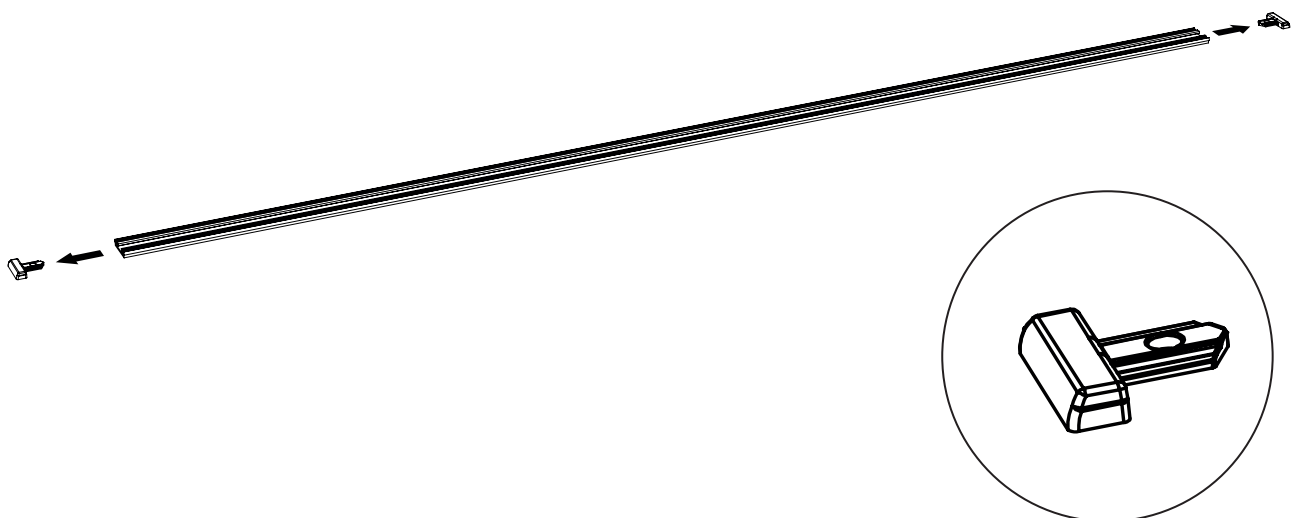


## 2 Disassembly step

Remove the end-caps

End-caps..... Plastic

## Recycle as





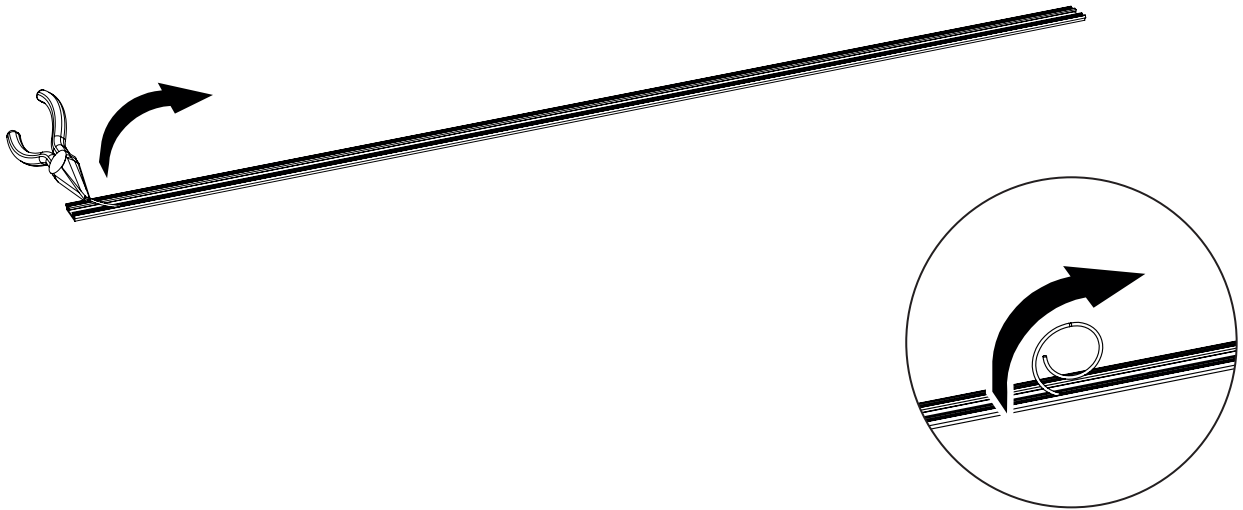
# Disassembly instructions PowerTrack™

**3 Disassembly step**  
Separate the copper wires  
from the profile

**Recycle as**

Wires ..... Metal

Profile ..... Plastic

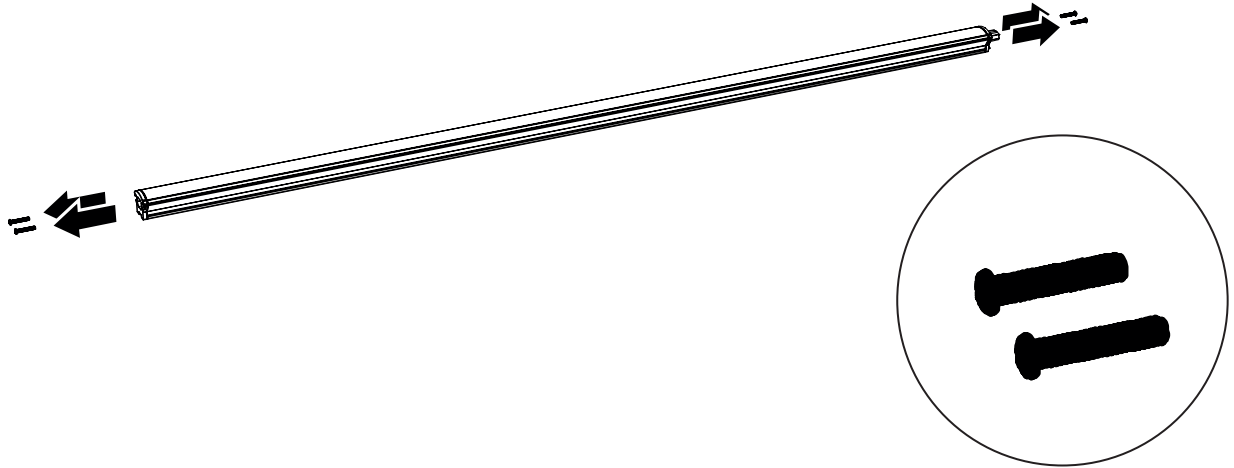


# Disassembly instructions LED fixtures

## 1 Disassembly step Unscrew connectors

Recycle as

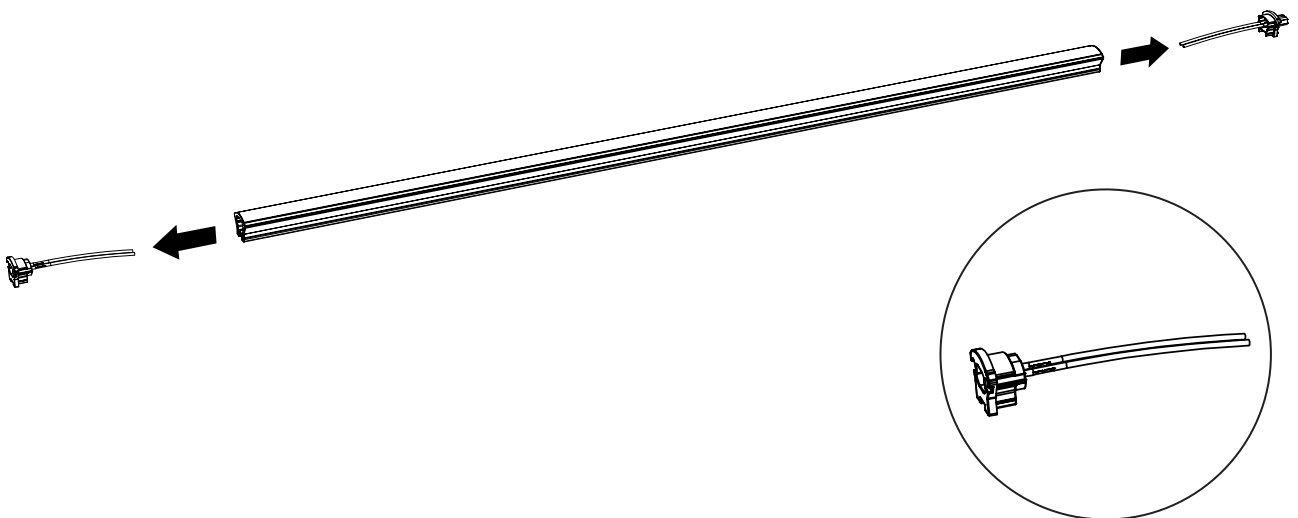
Screws..... Metal



## 2 Disassembly step Remove connectors

Recycle as

Connectors..... Electrical



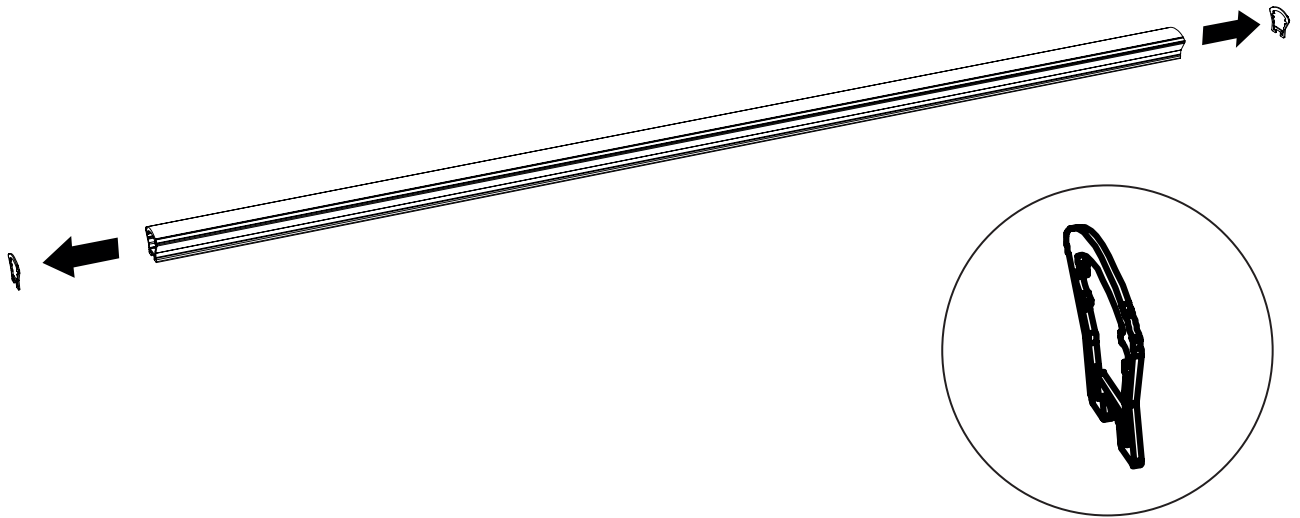
# Disassembly instructions LED fixtures

## 3 Disassembly step

Remove the gaskets

## Recycle as

Gaskets ..... Combustible

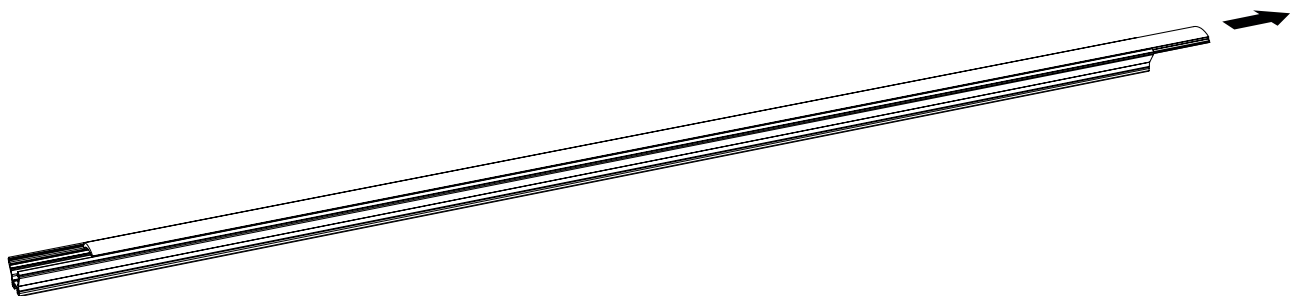


## 4 Disassembly step

Remove the opal cover

## Recycle as

Opal cover ..... Plastic



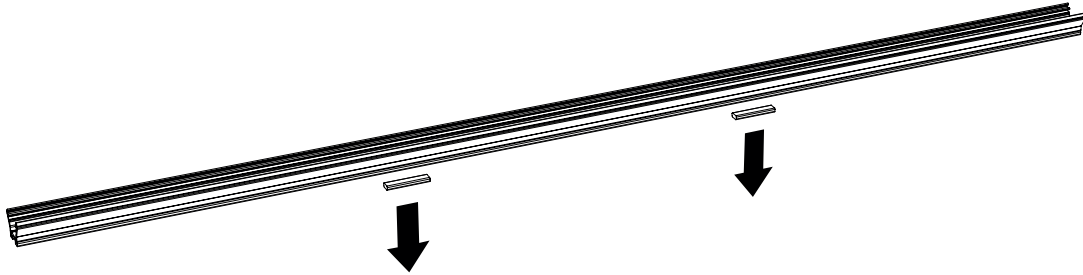
# Disassembly instructions LED fixtures

## 5 Disassembly step

### Recycle as

Remove the magnets

Magnets ..... Metal



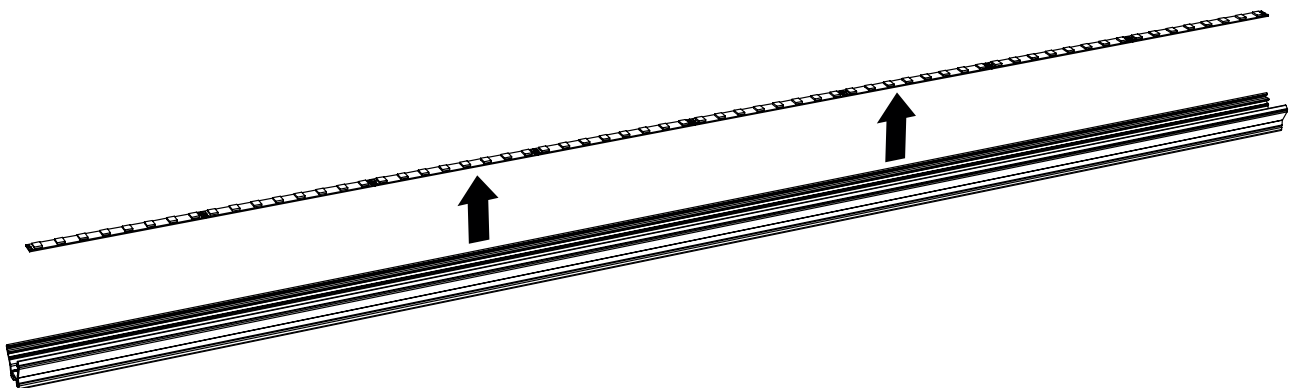
## 6 Disassembly step

### Recycle as

Remove the LED module

LED module..... Electrical

Aluminum profile..... Metal

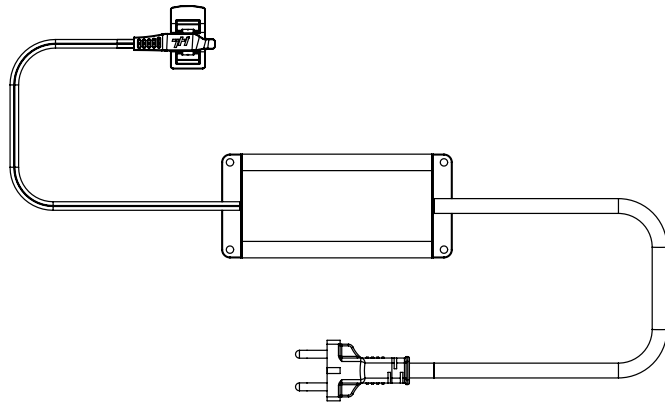


# Disassembly instructions Other


## 8 Components

## Recycle as

LED drivers.....	Electrical
Accessories, cables.....	Electrical
Accessories, mounting .....	Metal




# Energy labels


 **ENERGY**

HL Display AB  
AL-LED24-840-CTI24-le0300

A  
B  
C  
D **D**  
E  
F  
G

**2**  
kWh/1000h


 2019/2015


 **ENERGY**

HL Display AB  
AL-LED24-840-CTI24-le0600

A  
B  
C  
D **D**  
E  
F  
G

**5**  
kWh/1000h


 2019/2015


 **ENERGY**

HL Display AB  
AL-LED24-840-CTI24-le0900

A  
B  
C  
D **D**  
E  
F  
G

**7**  
kWh/1000h


 2019/2015


 **ENERGY**

HL Display AB  
AL-LED24-840-CTI24-le1200

A  
B  
C  
D **D**  
E  
F  
G

**10**  
kWh/1000h


 2019/2015


 **ENERGY**

HL Display AB  
AL-LED24-860-CTI24-le0300

A  
B  
C  
D **D**  
E  
F  
G

**2**  
kWh/1000h


 2019/2015


 **ENERGY**

HL Display AB  
AL-LED24-860-CTI24-le0600

A  
B  
C  
D **D**  
E  
F  
G

**5**  
kWh/1000h


 2019/2015


 **ENERGY**

HL Display AB  
AL-LED24-860-CTI24-le0900

A  
B  
C  
D **D**  
E  
F  
G

**7**  
kWh/1000h


 2019/2015

 **ENERGY**

HL Display AB  
AL-LED24-860-CTI24-le1200

A  
B  
C  
D **D**  
E  
F  
G

**10**  
kWh/1000h

 2019/2015

